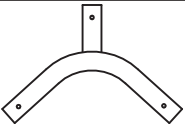





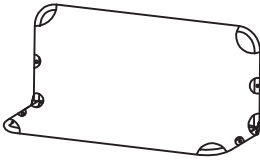

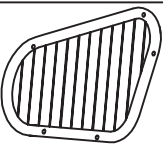


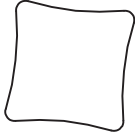
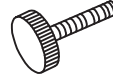
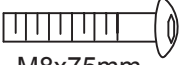
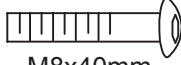
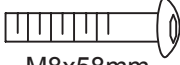
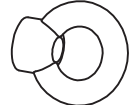





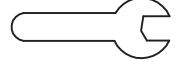
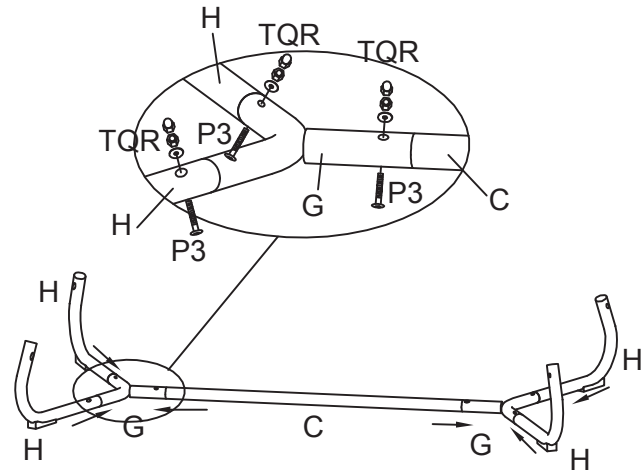
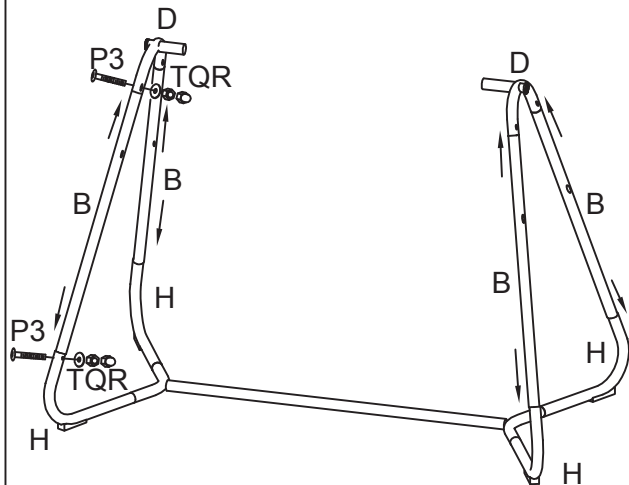
 <p>A x1</p>		 <p>G x2</p>	 <p>J x1</p>
 <p>B x4</p>		 <p>H x4</p>	 <p>L x2</p>
 <p>C x1</p>		 <p>K x1</p>	
 <p>D x2</p>	 <p>E x2</p>	 <p>V x1</p>	
 <p>F x4</p>		 <p>O x3</p>	 <p>U x2</p>
 <p>M8x75mm P1 x6</p>	 <p>M8x40mm P2 x4</p>	 <p>M8x58mm P3 x20</p>	 <p>S x8</p>
 <p>M8 T x22</p>	 <p>M8 Q x22</p>	 <p>M8 R x22</p>	 <p>M8 x 1</p>
		 <p>M6 r x4</p>	 <p>M8 x 1</p>

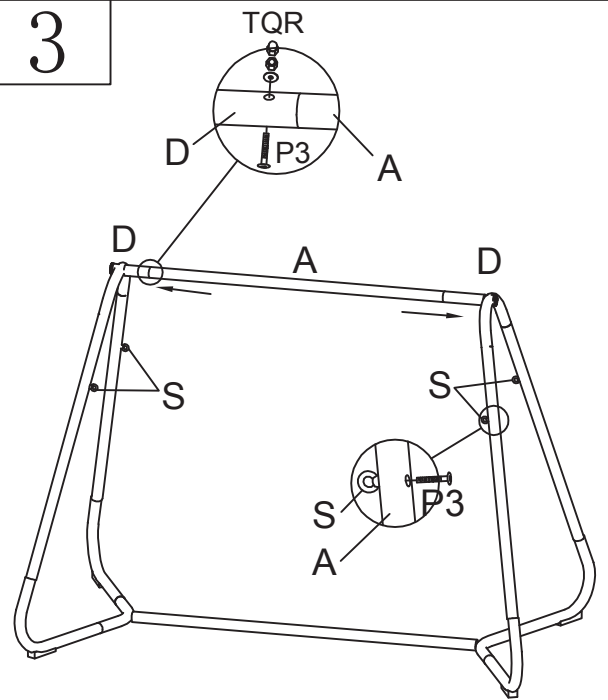
1



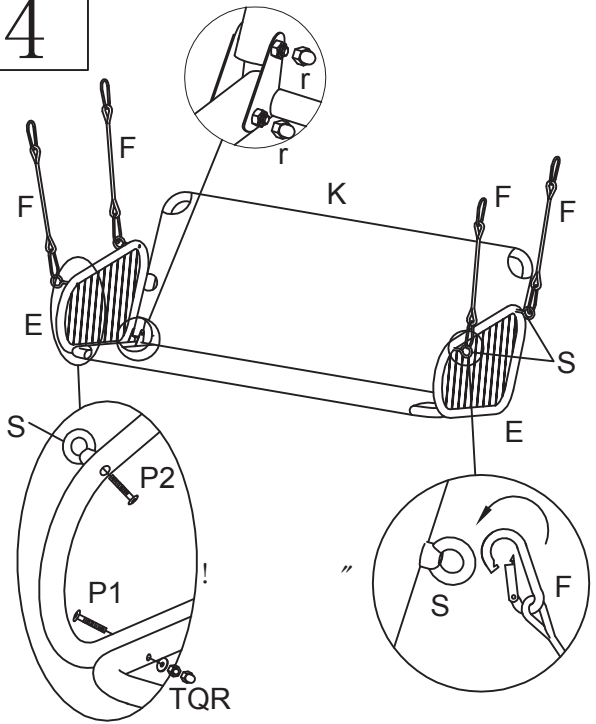
2



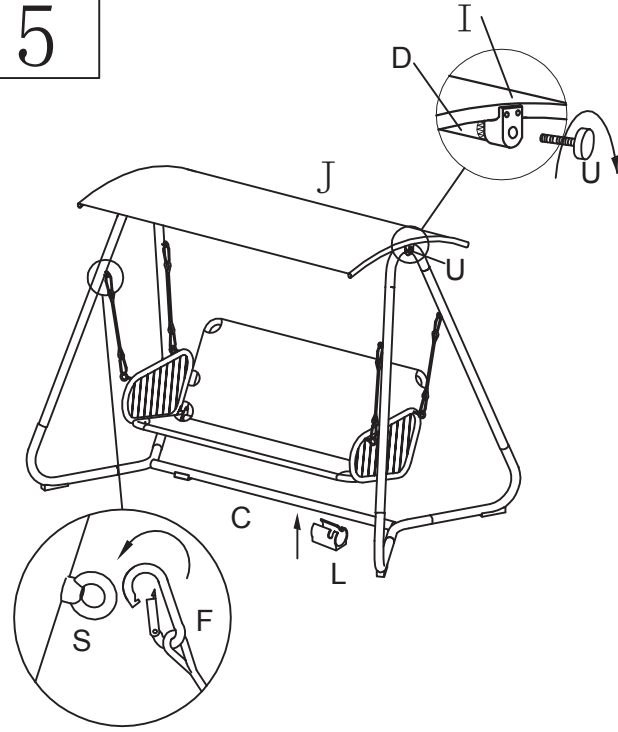
3



4



5



6

