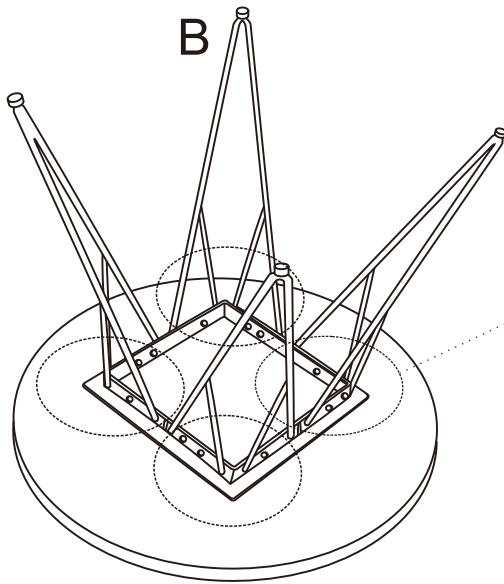
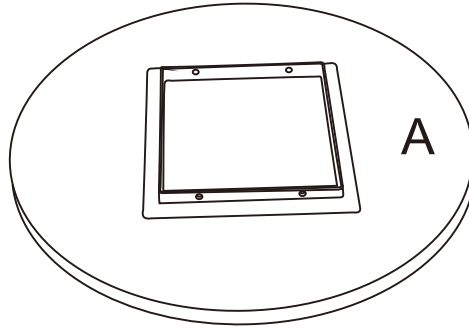
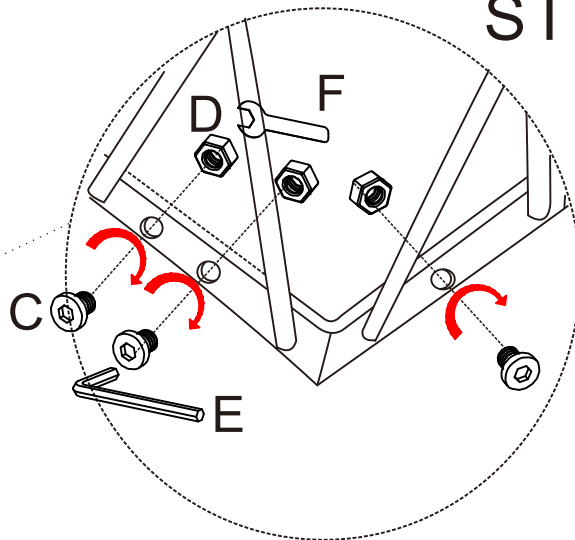

Ax1	Bx4	Cx12	Dx12	Ex1	Fx1

STEP 1



STEP 2



STEP 3

