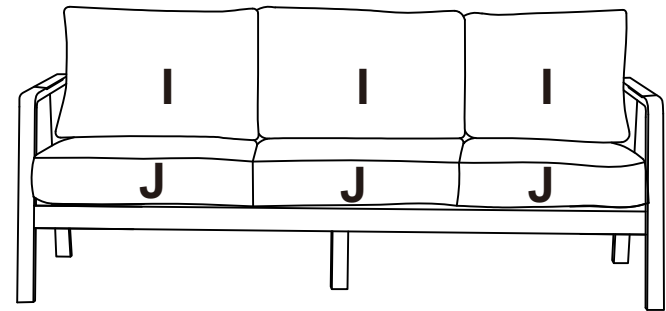
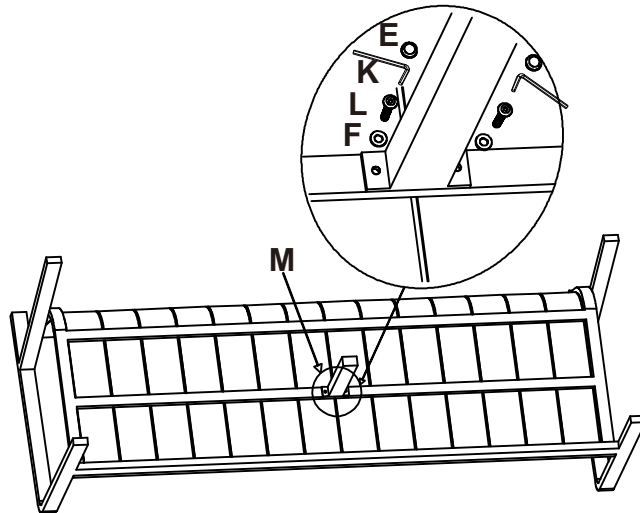
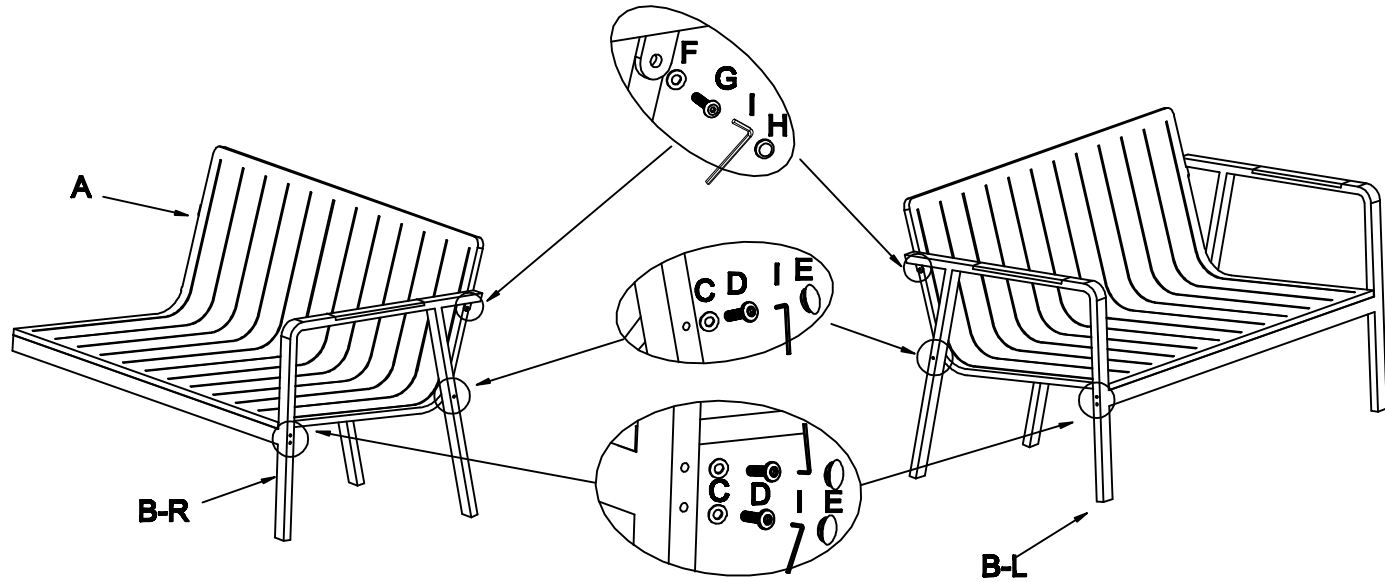


Assembly Instruction

Part List

NO.	Picture	Name	Qty
A		Back Seat	1
B-L		Left Armrest	1
B-R		Right Armrest	1
C		Washer	2
D		Bolt M6x20	2
E		Bolt Cover	4
F		Washer	8
G		Bolt M6x35	6
H		Tube Cover	6
I		Back Cushion	3
J		Seat Cushion	3
K		Wrench	1
L		Bolt M6x15	2
M		Middle Leg	1



41747