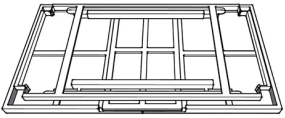
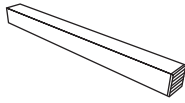


A x1PC



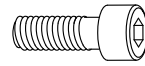
B x4PCS



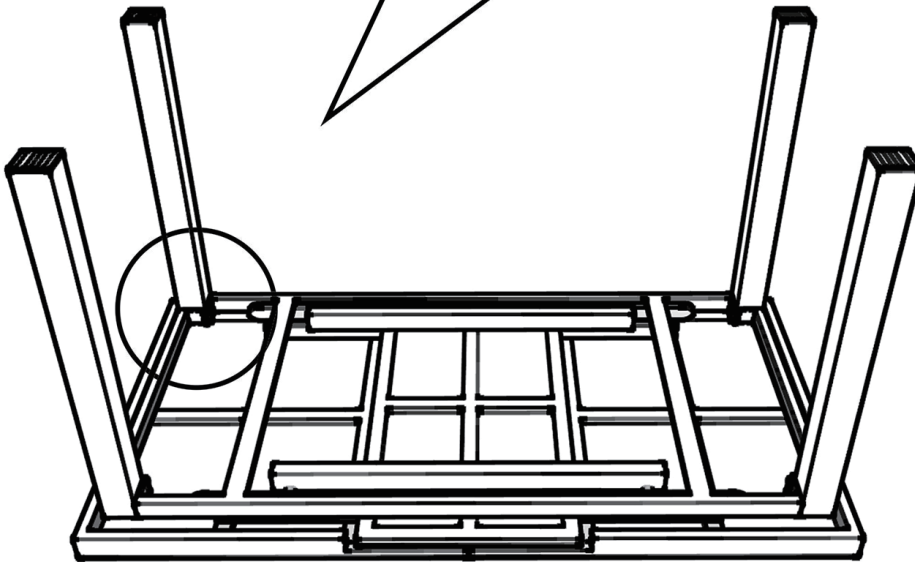
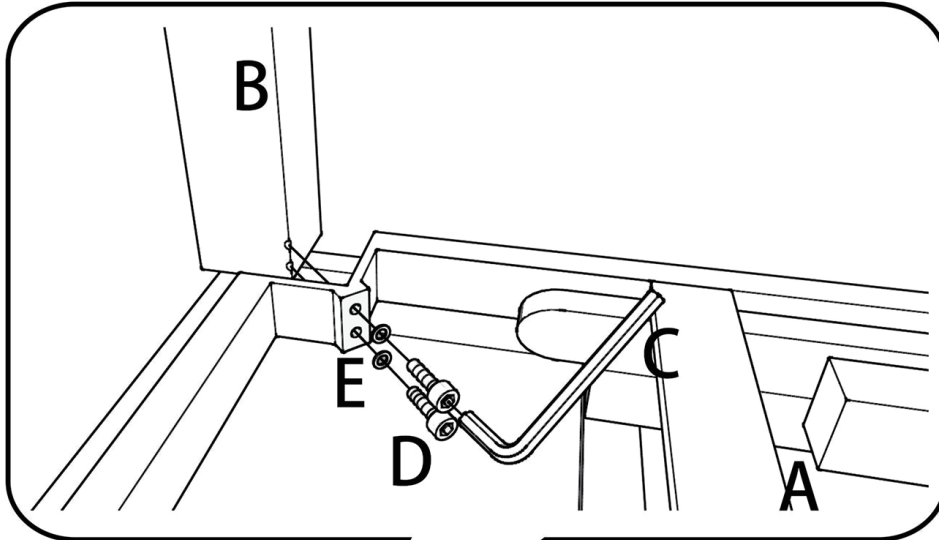
C x1PC



D x8PCS

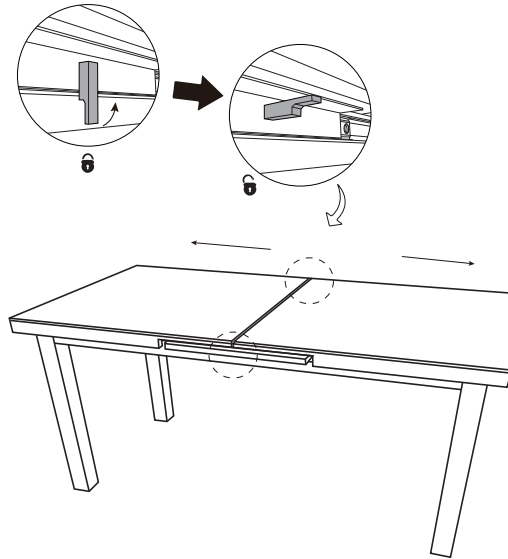


E x8PCS

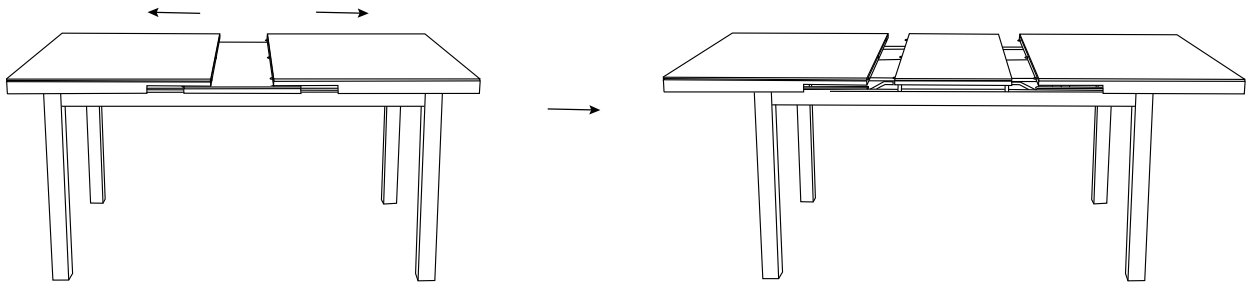


Open

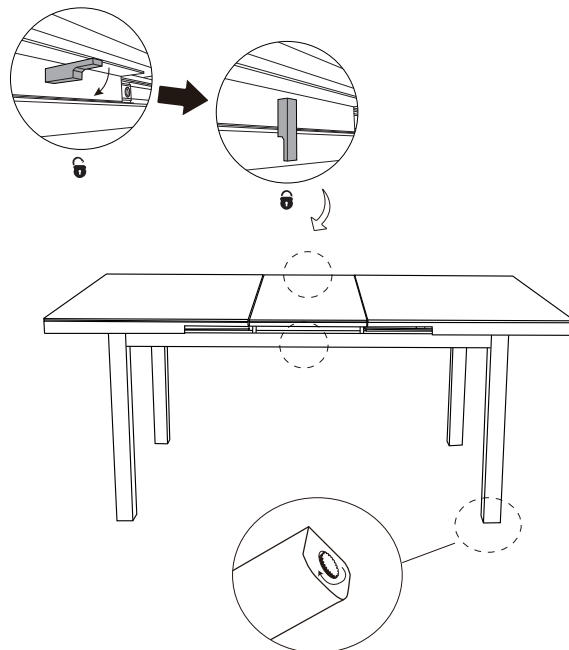
1.



2.

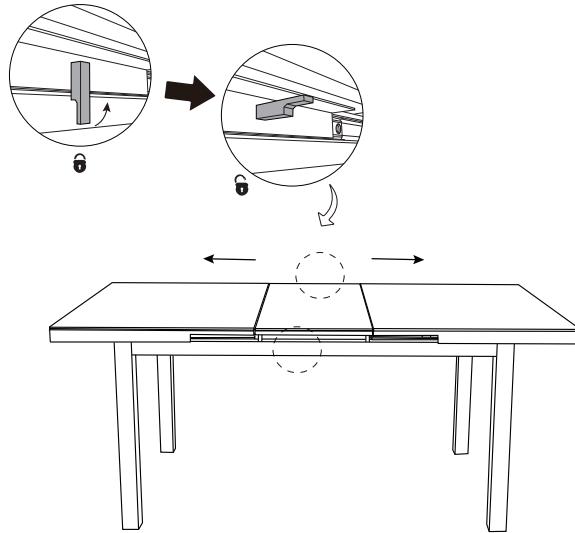


3.

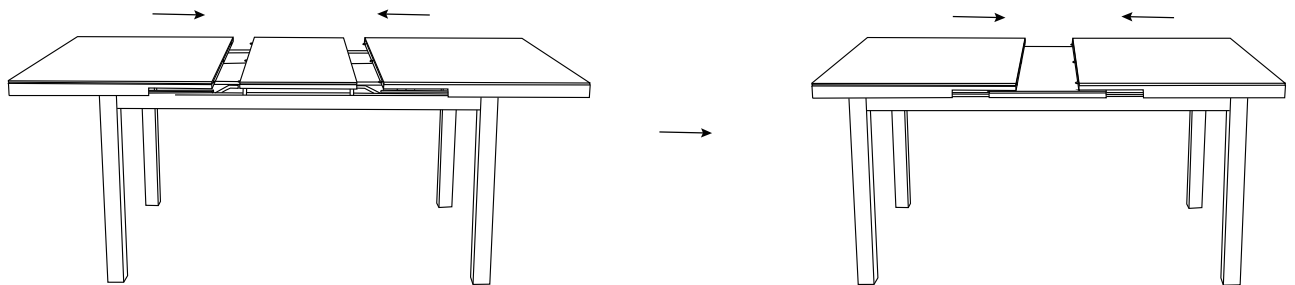


Close

1.



2.



3.

