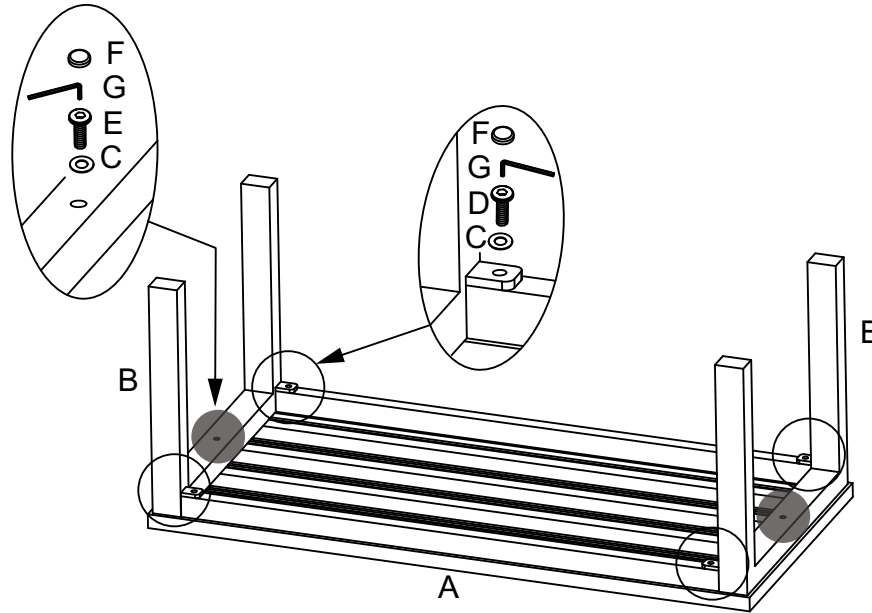








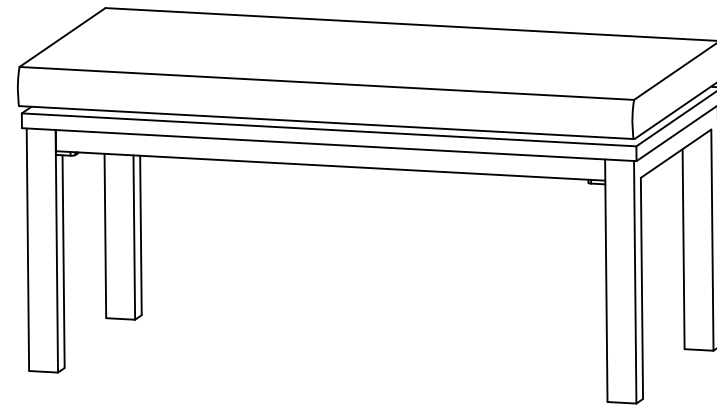


Assembly Instruction



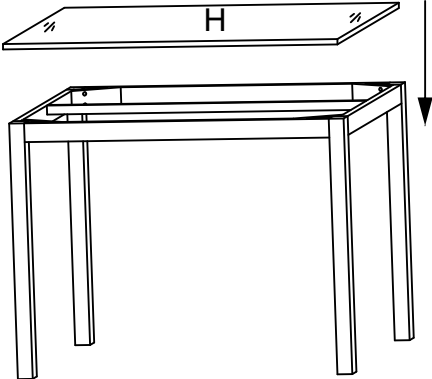
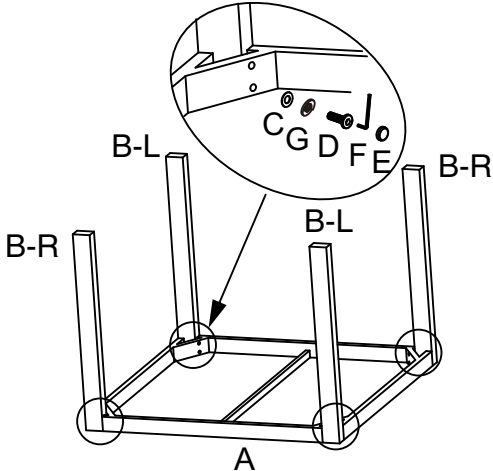
Part List

NO.	Pictrue	Name	Qty
A		Table Rim	1
B		Table Leg	2
C		Washer	6
D		Bolt M6x20	4
E		Bolt M6x45	2
F		Bolt Cover	6
G		Wrench	1
H		Cushion	1



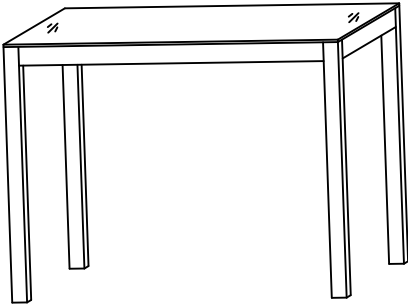
(41650)

Assembly Instruction



Part List

NO.	Pictrue	Name	Qty
A		Table Rim	1
B-L		Table Leg	2
B-R		Table Leg	2
C		Washer	8
D		Bolt M6x45	8
E		Bolt Cover	8
F		Wrench	1
G		Spring Washer	8
H		Glass	1



(41650)