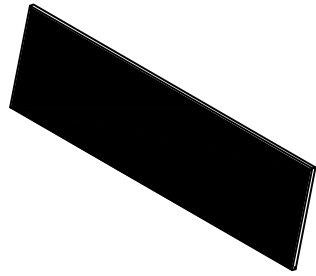
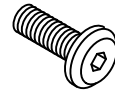


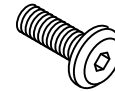
A: 1PCS



B: 1PCS



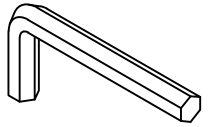
C: M6*40*2PCS



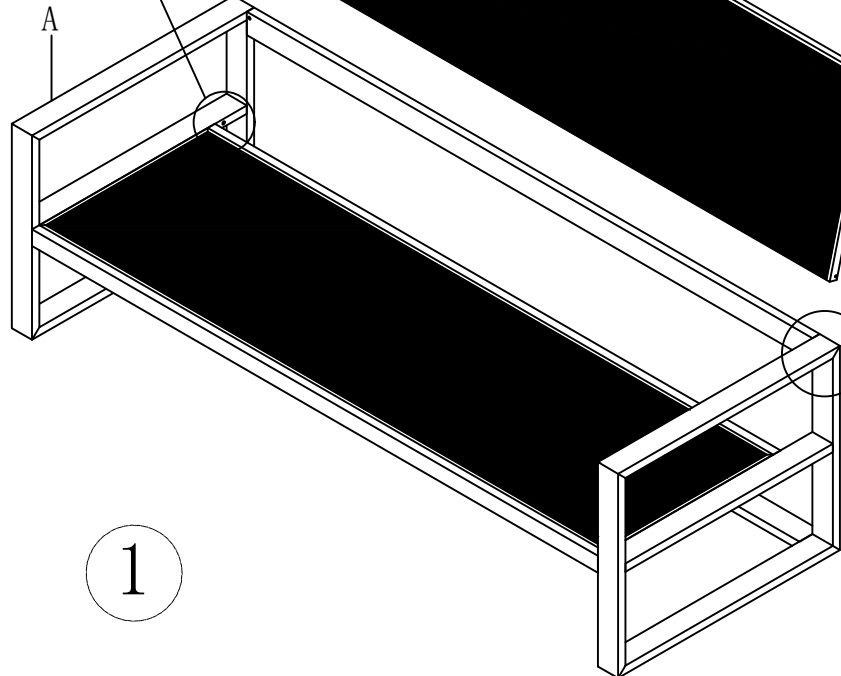
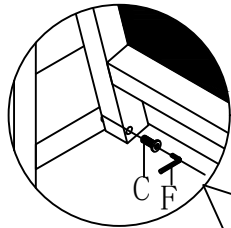
D: M6*35*2PCS



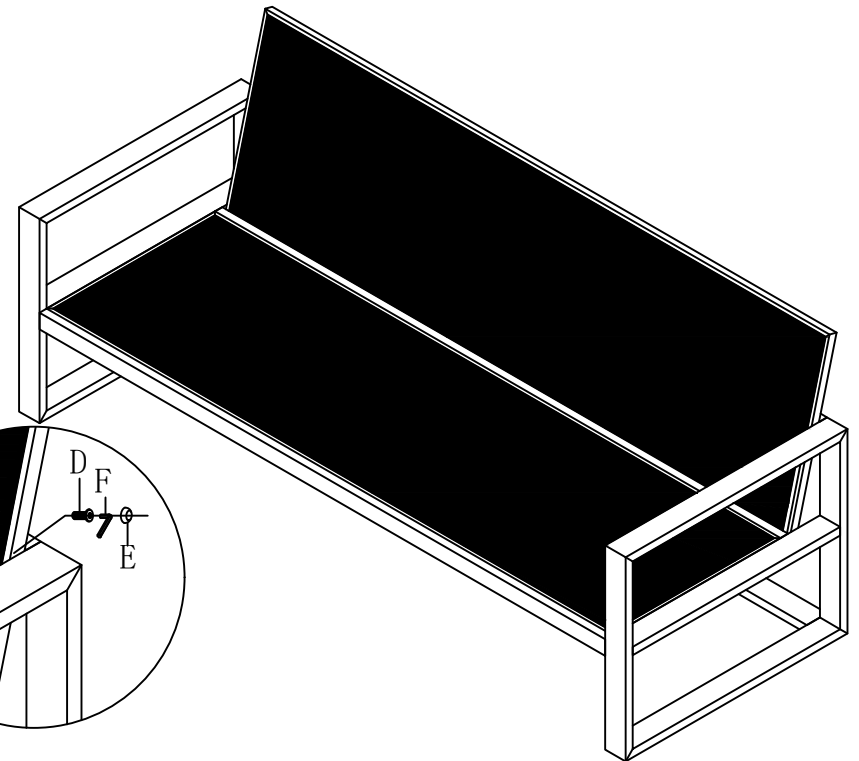
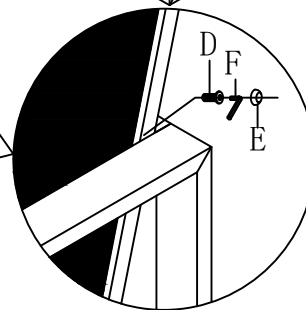
E: M6* 14*2PCS



F: 4MM*1PCS



1



2

Please assemble all components firstly,
then tightly fix all screws.