








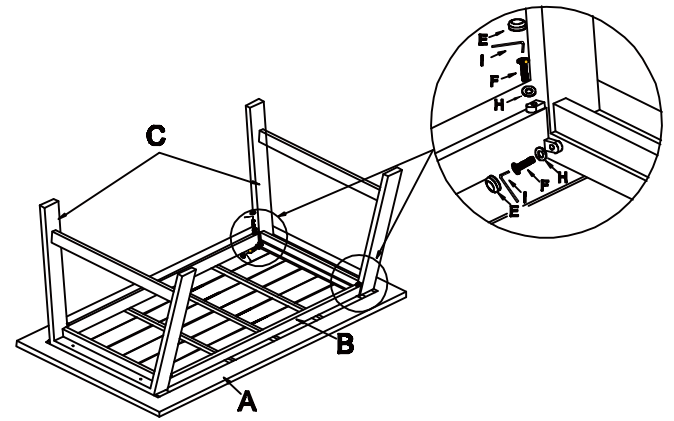
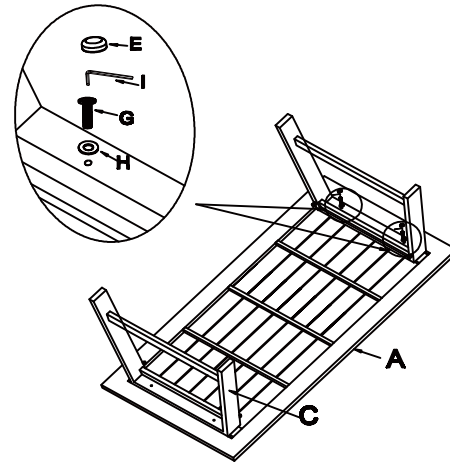


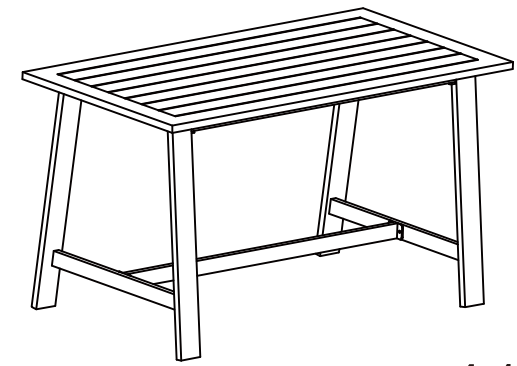
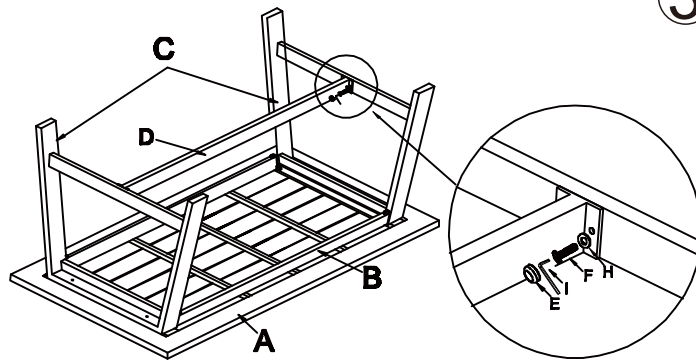
Assembly Instruction

Part List

NO.	Pictue	Name	Qty
A		Table Rim	1
B		Holder	2
C		Table Leg	2
D		Connect Tube	1
E		Bolt Cover	16
F		Bolt M8x25	12
G		Bolt M8x45	4
H		Washer	16
I		Wrench	1



① ②
③ ④



41828