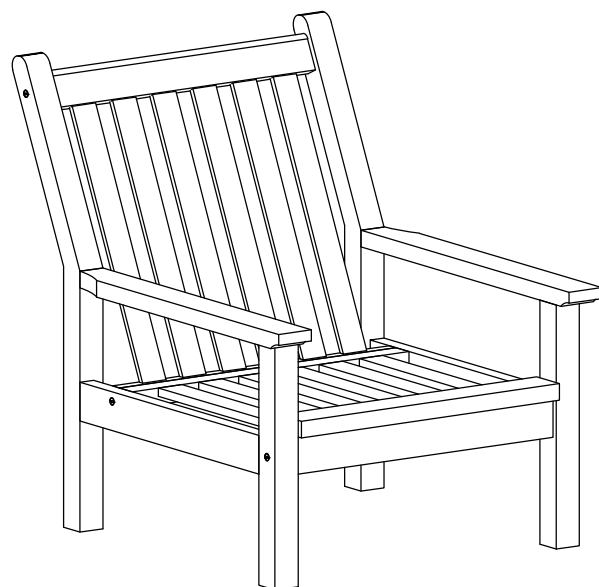
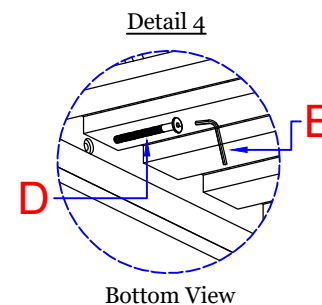
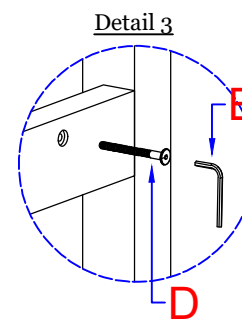
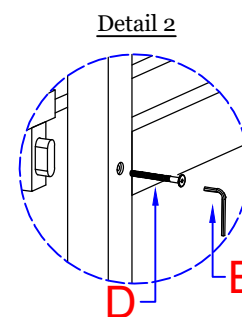
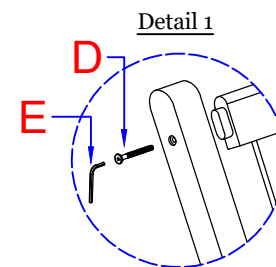
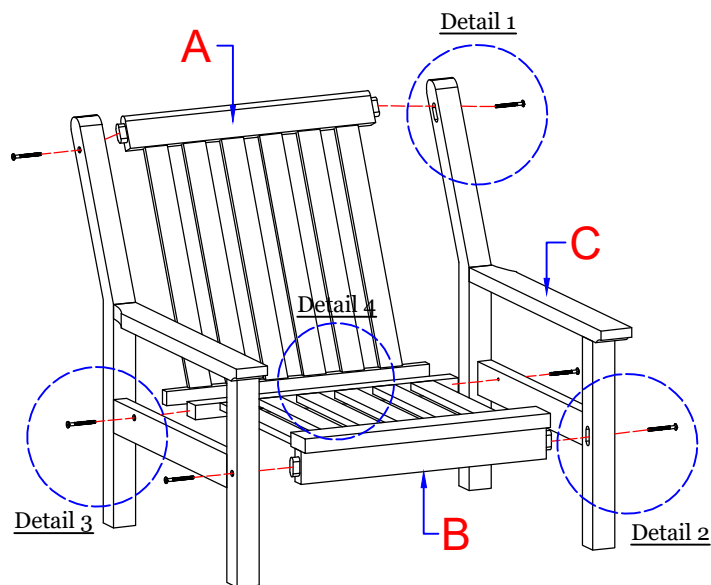


ASSEMBLY INTRUCTION

MATERIAL OF PART

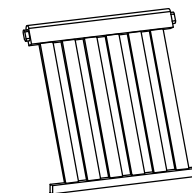
POST	QTY	COMPONENT
A	1	BACKREST
B	1	SEAT
C	2	LEGS R/L
D	8	JCBC M8X50 mm
E	1	L.5



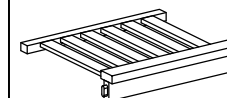
FINISH ASSEMBLY

SIZE = 65.5 x 86 x 82,5 cm

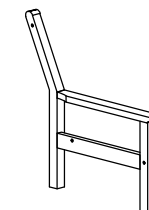
BACKREST



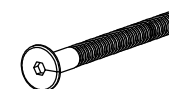
SEAT



LEGS R/L



JCBC M8X50 mm



L.5

