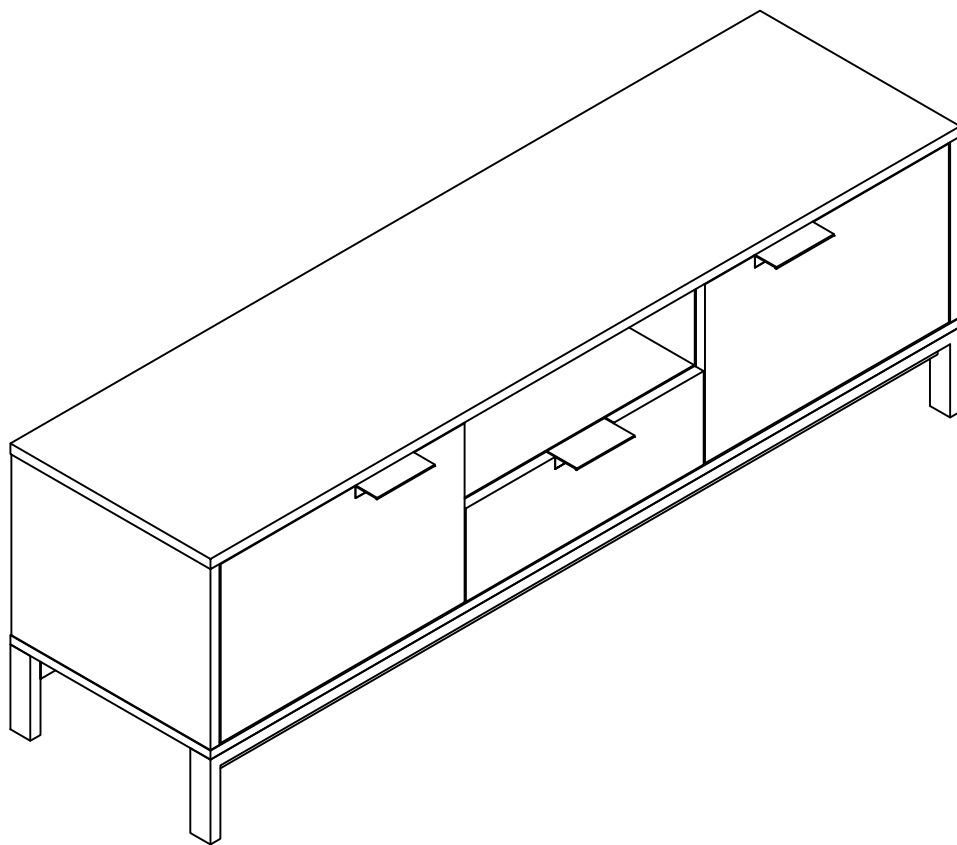
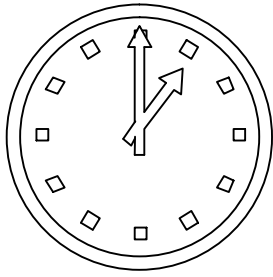


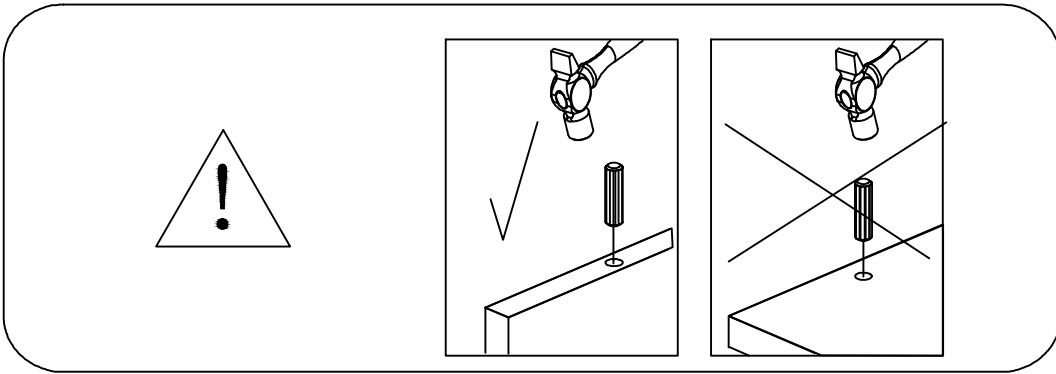
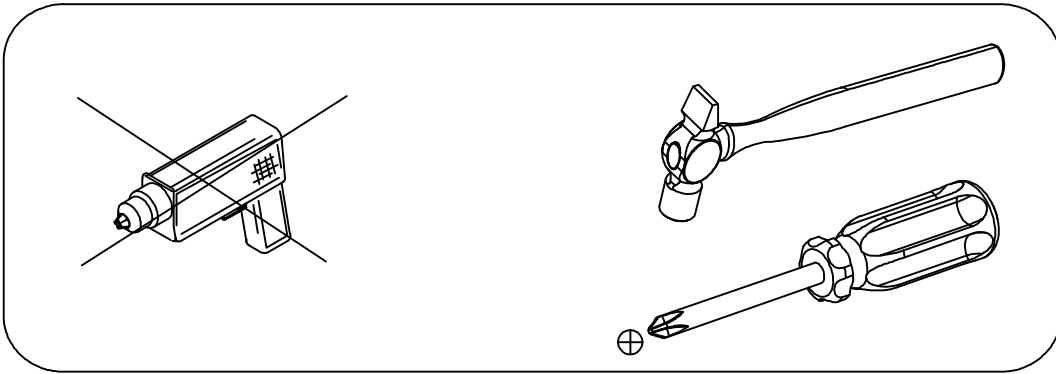
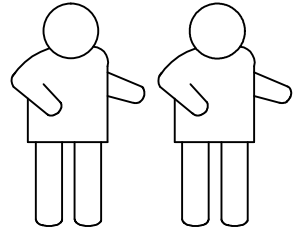
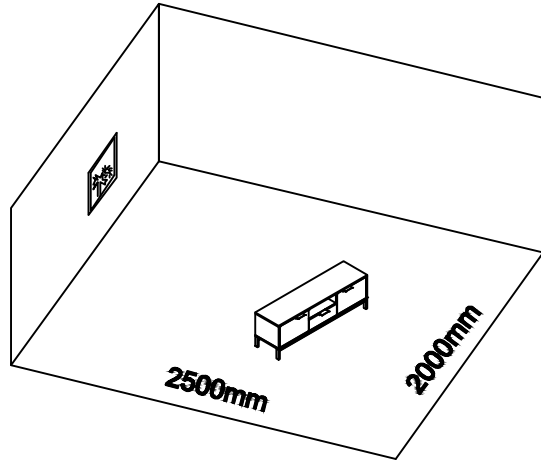
Assembly Instructions

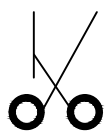
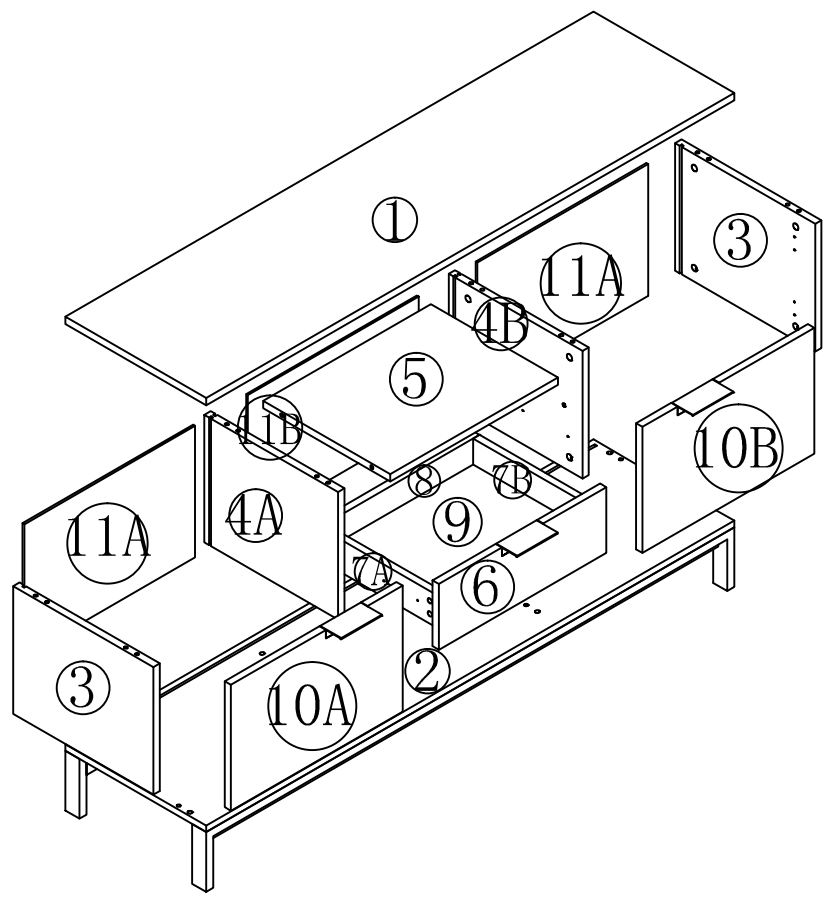
9981





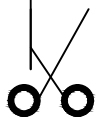
60 min













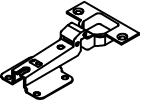


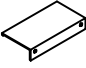


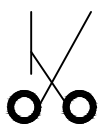
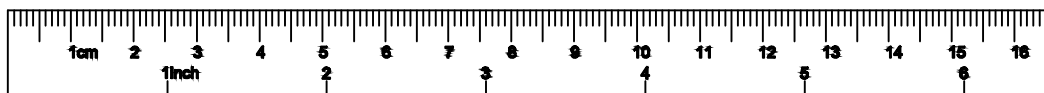
9981

1	1	1500x400x18MM
2	1	1500x400x18MM
3	2	398x314x18MM
4A	1	380x314x18MM
4B	1	380x314x18MM
5	1	476x361x18MM
6	1	476x162x18MM
7A	1	332x80x18MM
7B	1	332x80x18MM
8	1	455x80x18MM
9	1	429x342x5MM
10A	1	488x310x18MM
10B	1	488x310x18MM
11A	2	485x324x5MM
11B	1	485x324x5MM





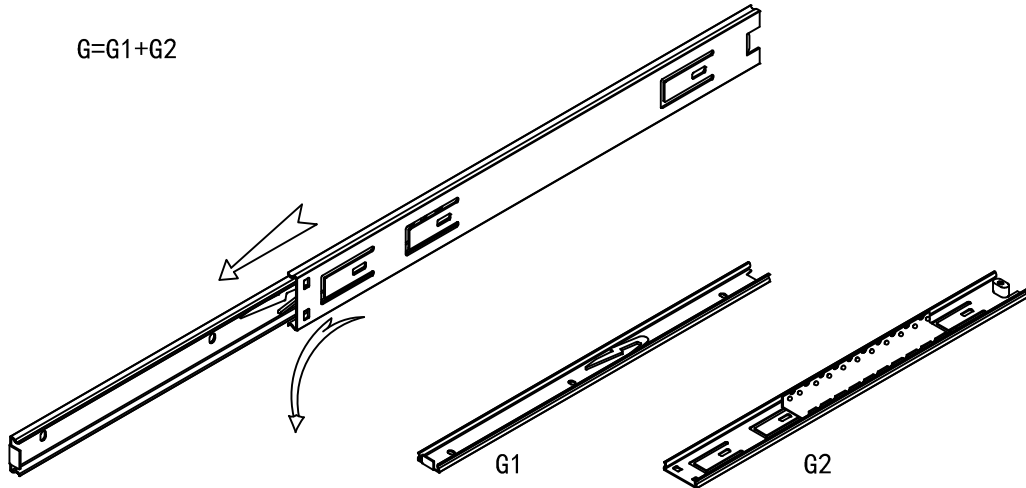
 φ 15x12 Ax16	 M6x35 Bx16	 φ 8x40 Cx20	 φ16xM6x1.5 Dx12
 M6x20 Ex12	 M6 Fx12	 350MM Gx2	 M6x24 Hx8
 φ12x12 Ix8	 M3.5x15 Jx54	 Kx4	 Lx12
 M5 Mx1	 Nx3		



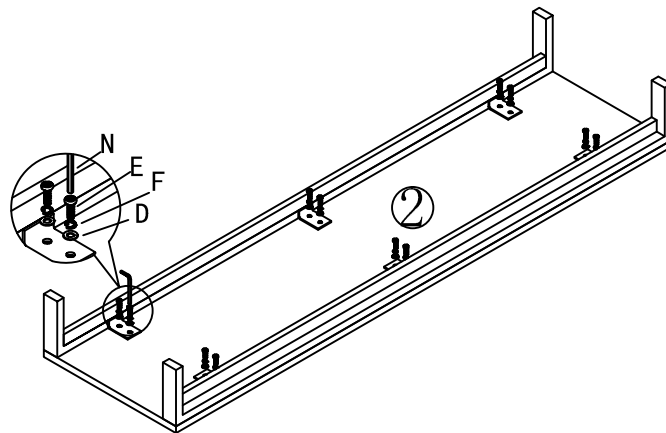
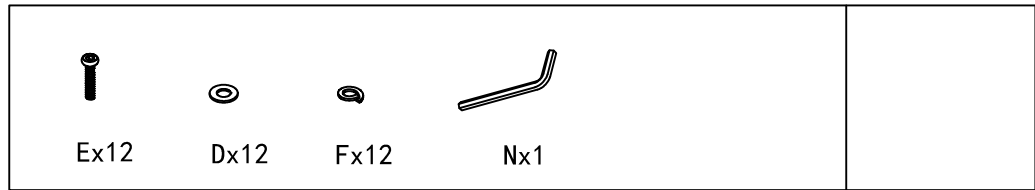
# 1



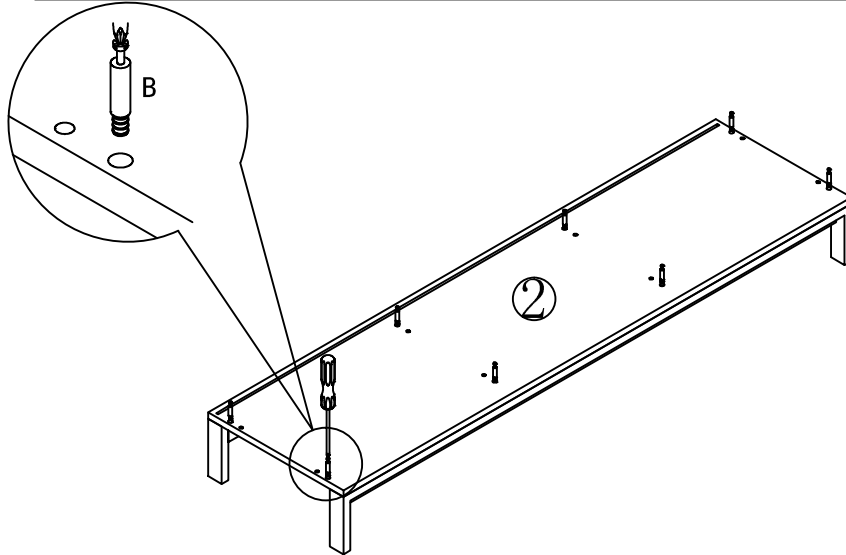
$G = G1 + G2$



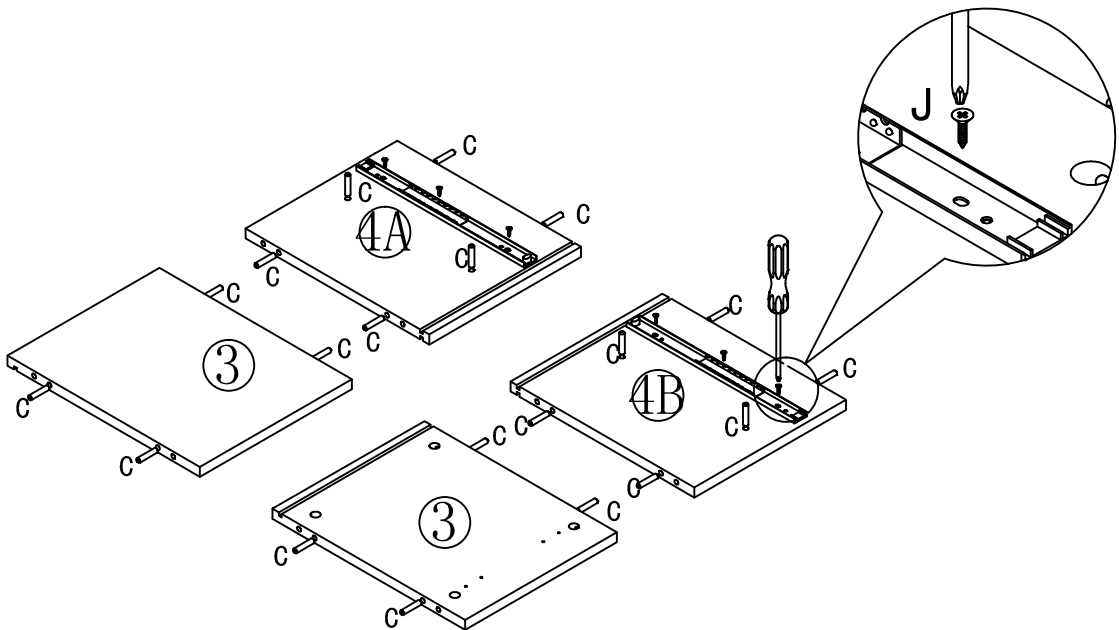
# 2



# 3

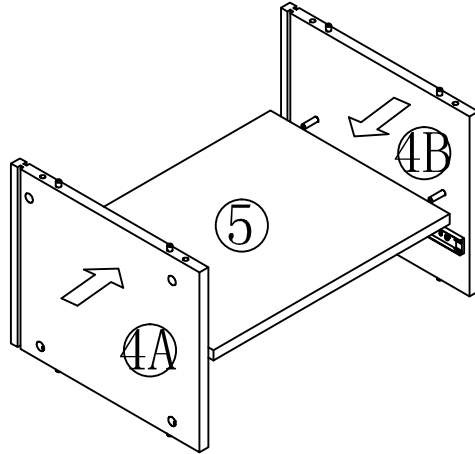


# 4



7-14

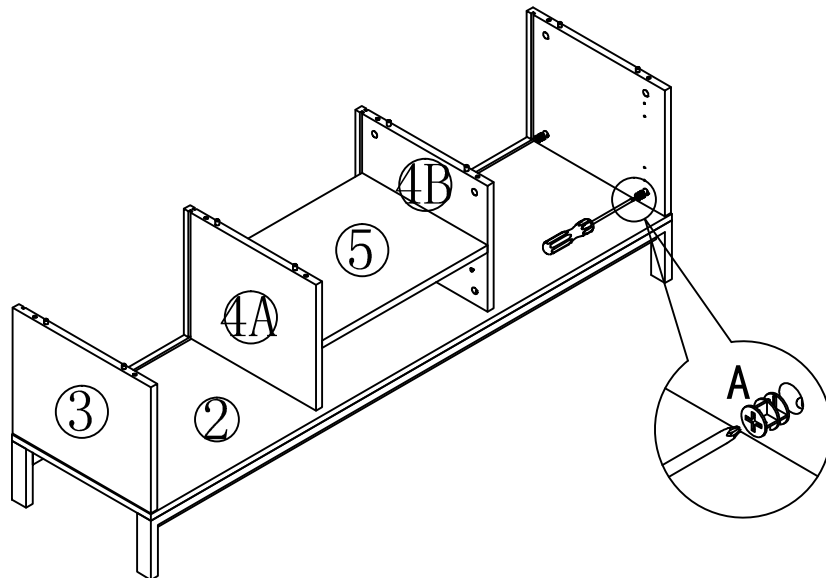
# 5



# 6

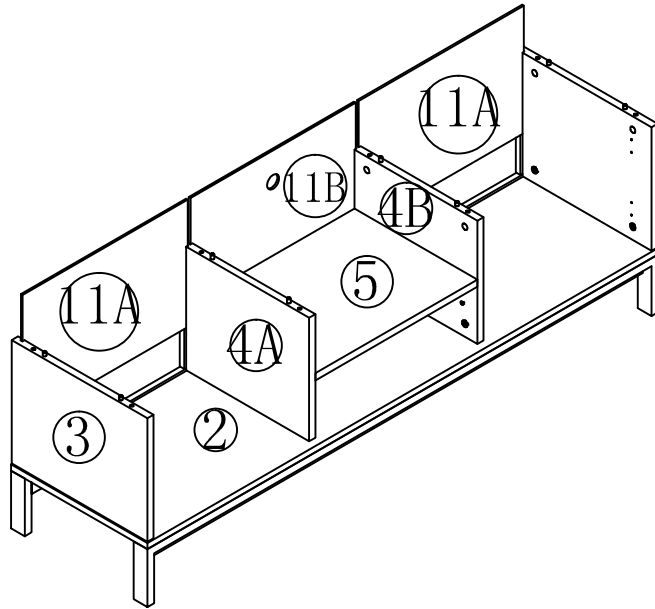


Ax8





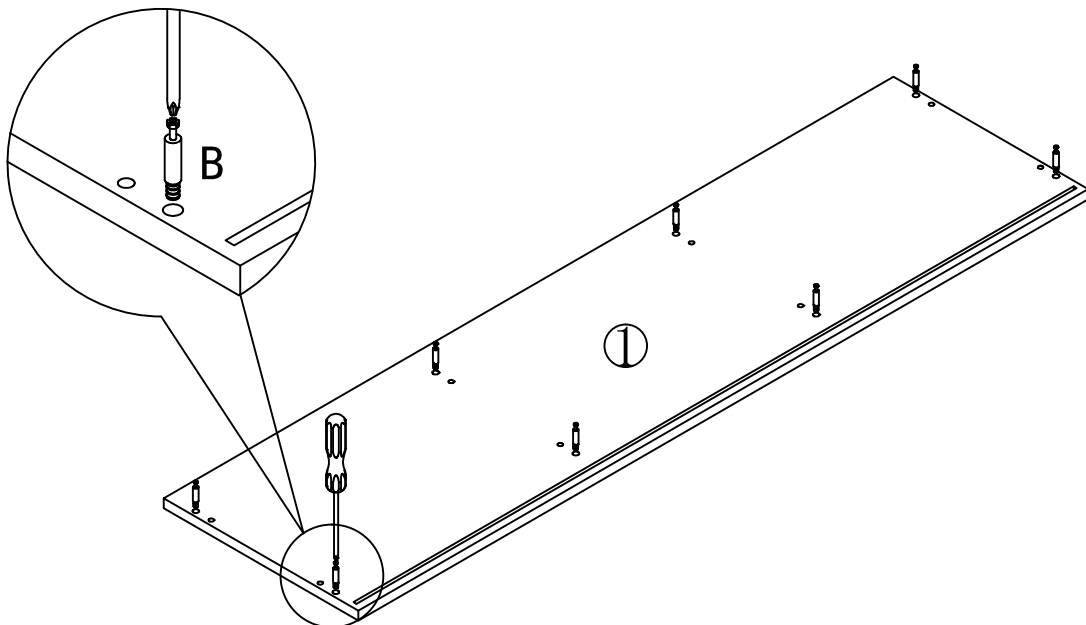
# 7



# 8



Bx8

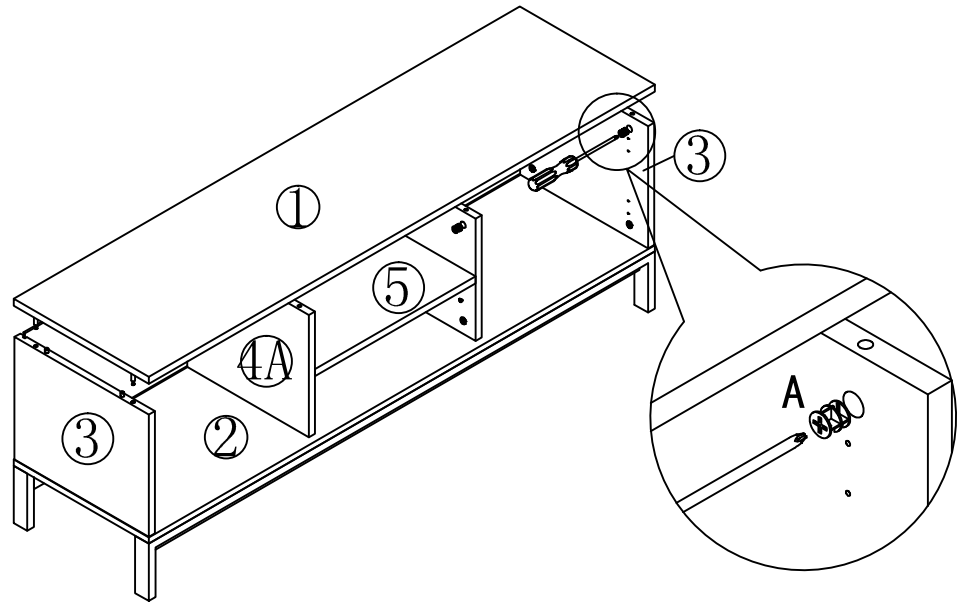
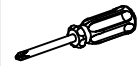


9-14

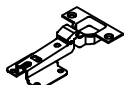
# 9



Ax8



# 10



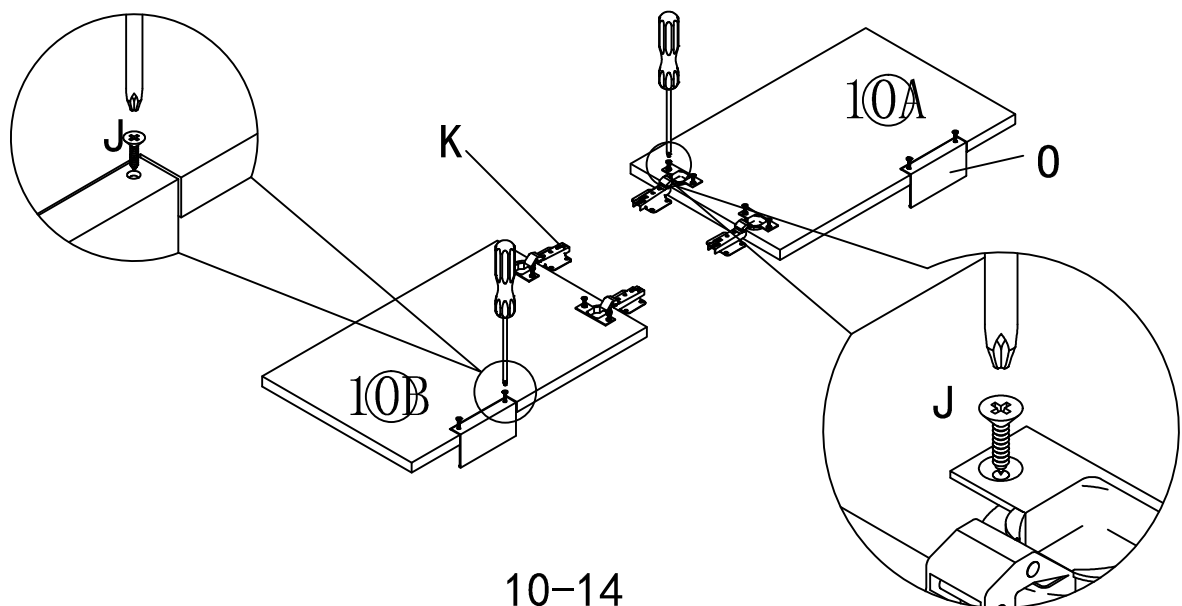
Kx4



Jx12

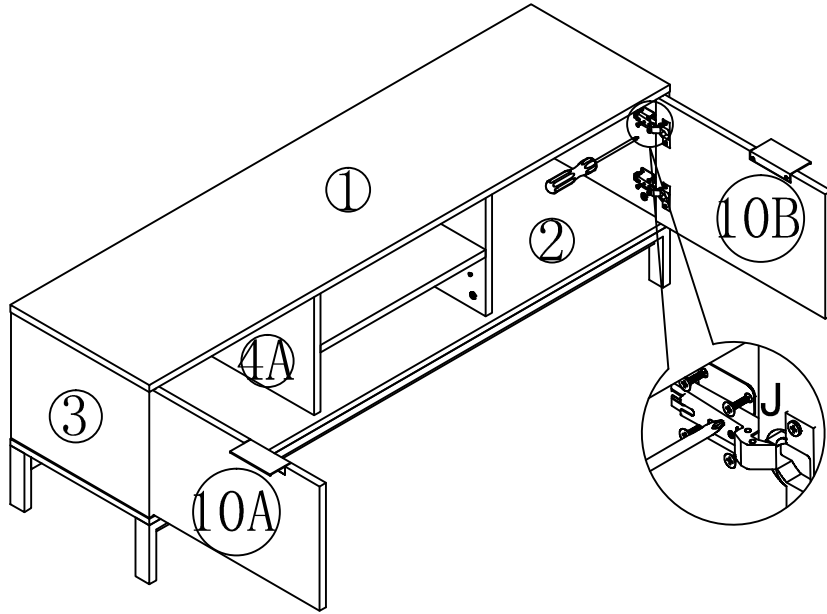


Nx2

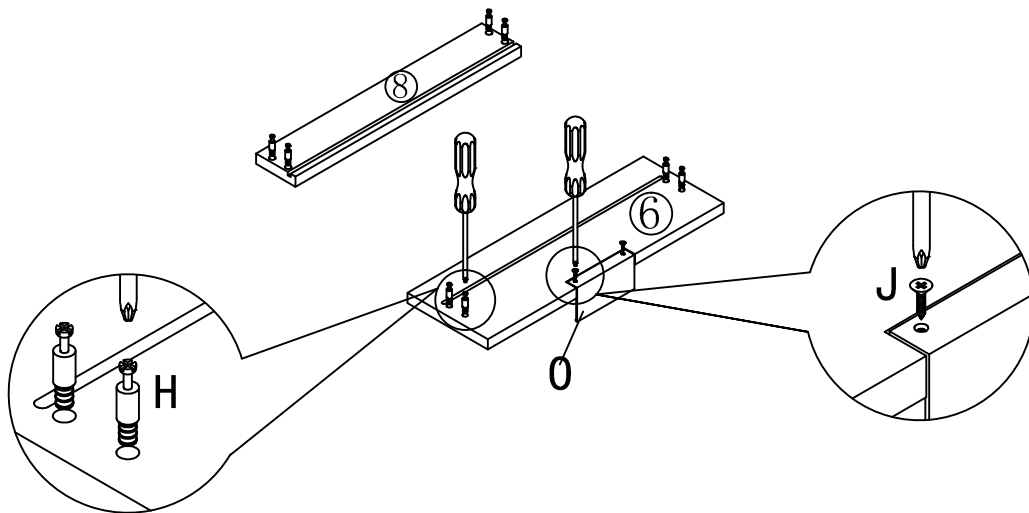
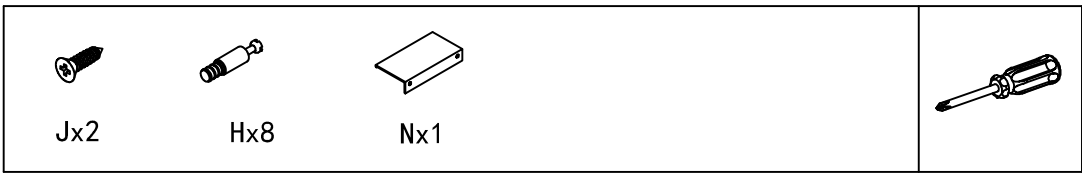


10-14

# 11



# 12

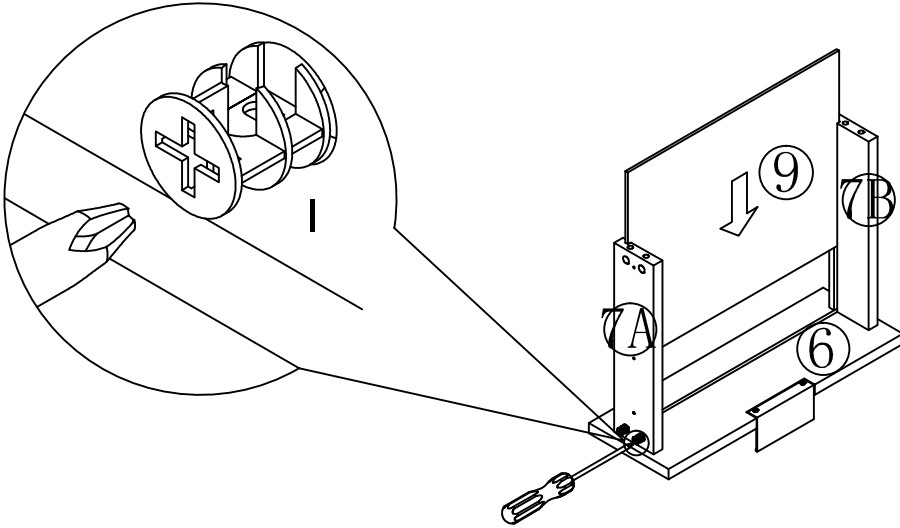


11-14

# 13



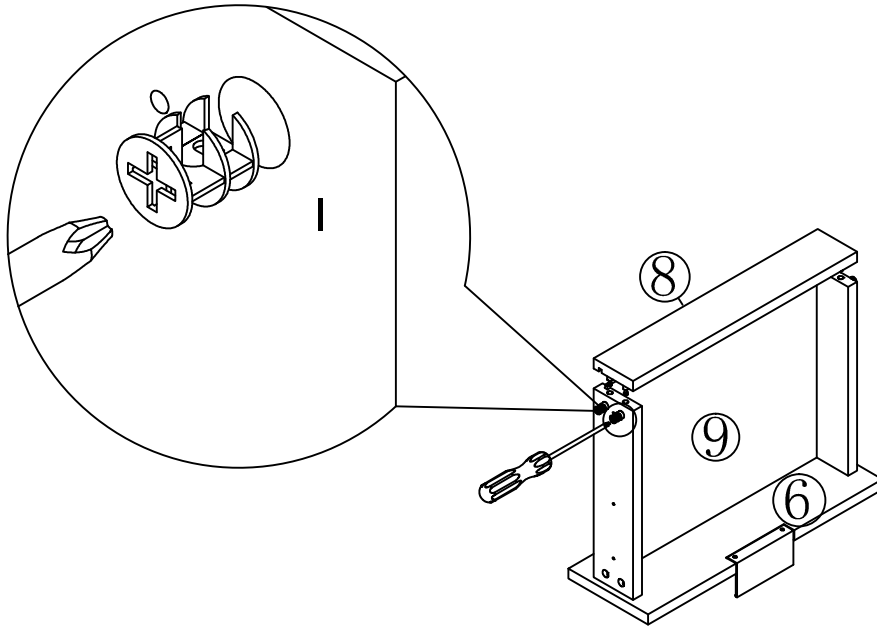
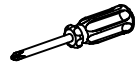
1x4



# 14



1x4



12-14

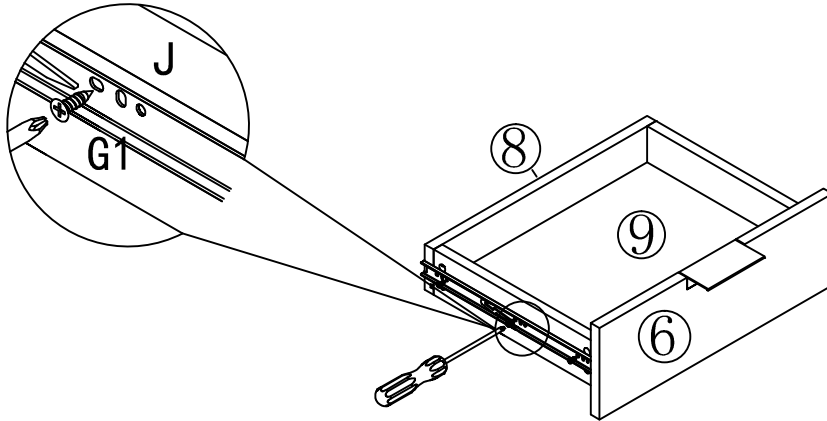
# 15



Jx6



G1x2



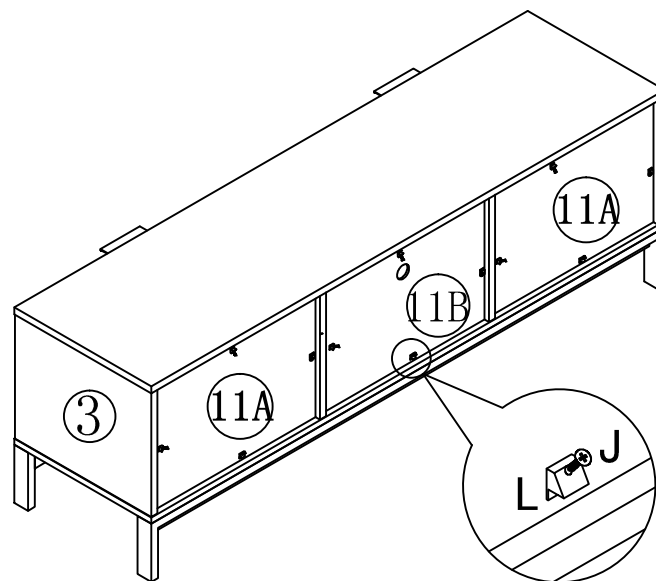
# 16



Jx12



Lx12



13-14

17

