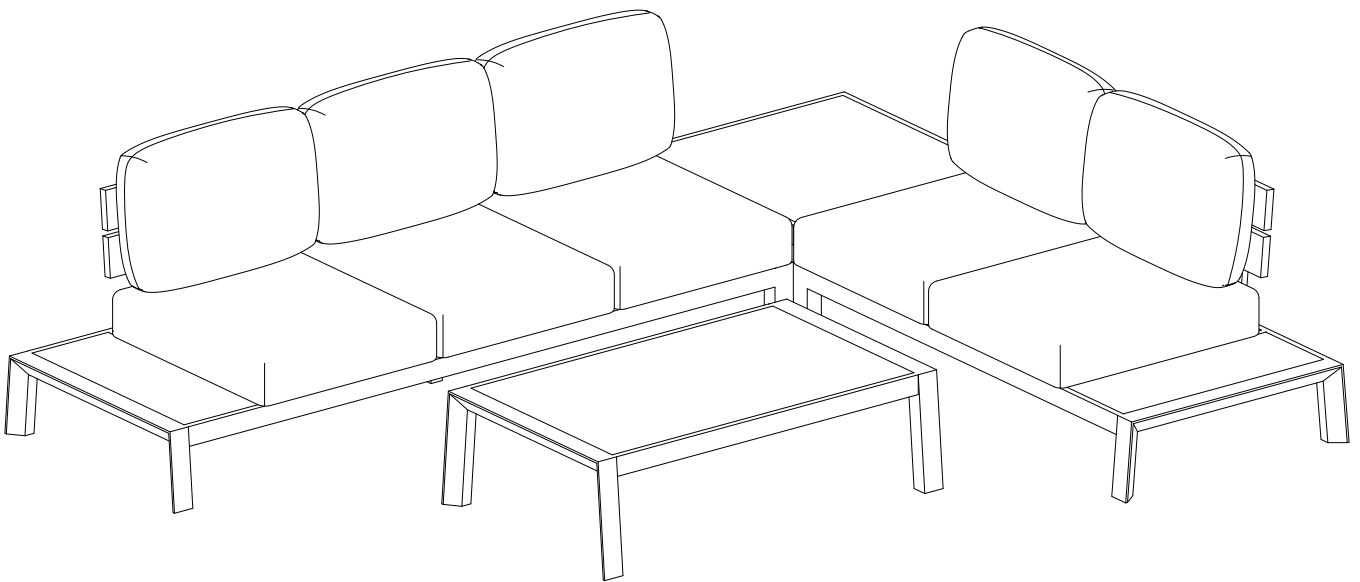
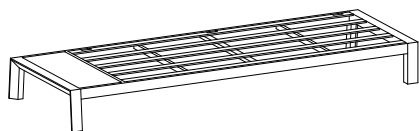
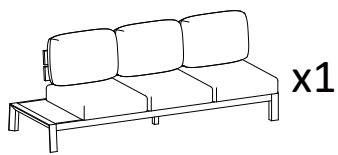
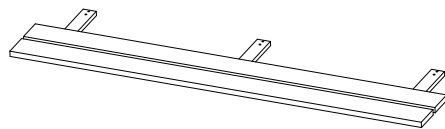


43322

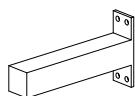




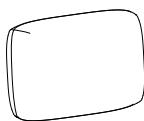
A x1



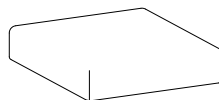
B x1



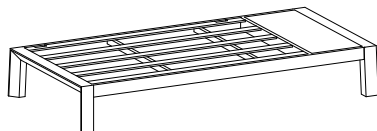
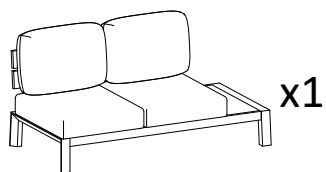
C x1



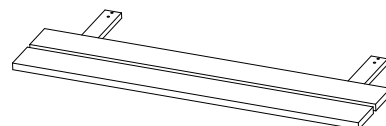
D x3



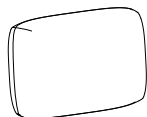
E x3



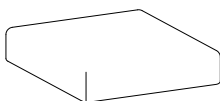
F x1



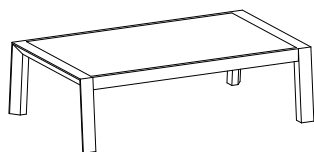
G x1



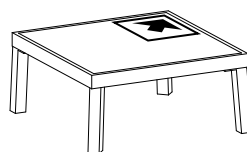
D x2



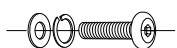
E x2



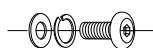
H x1



I x1



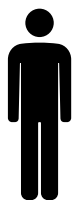
AA x10



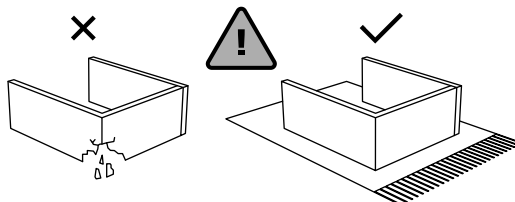
BB x4



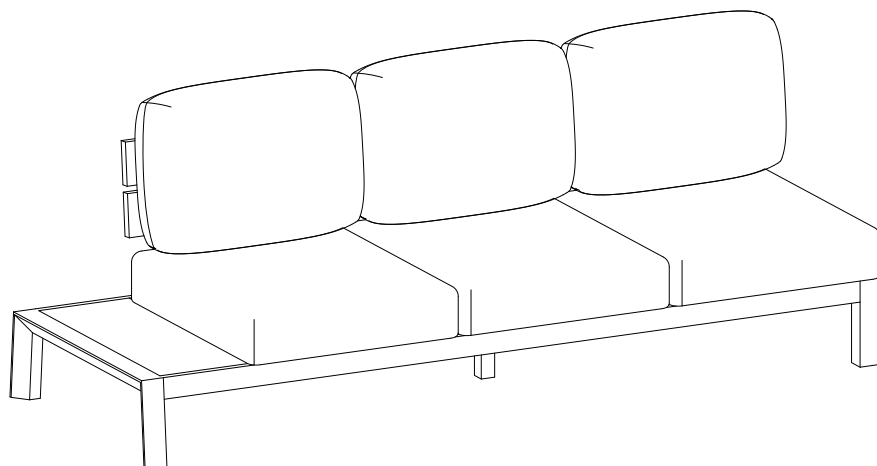
CC x1



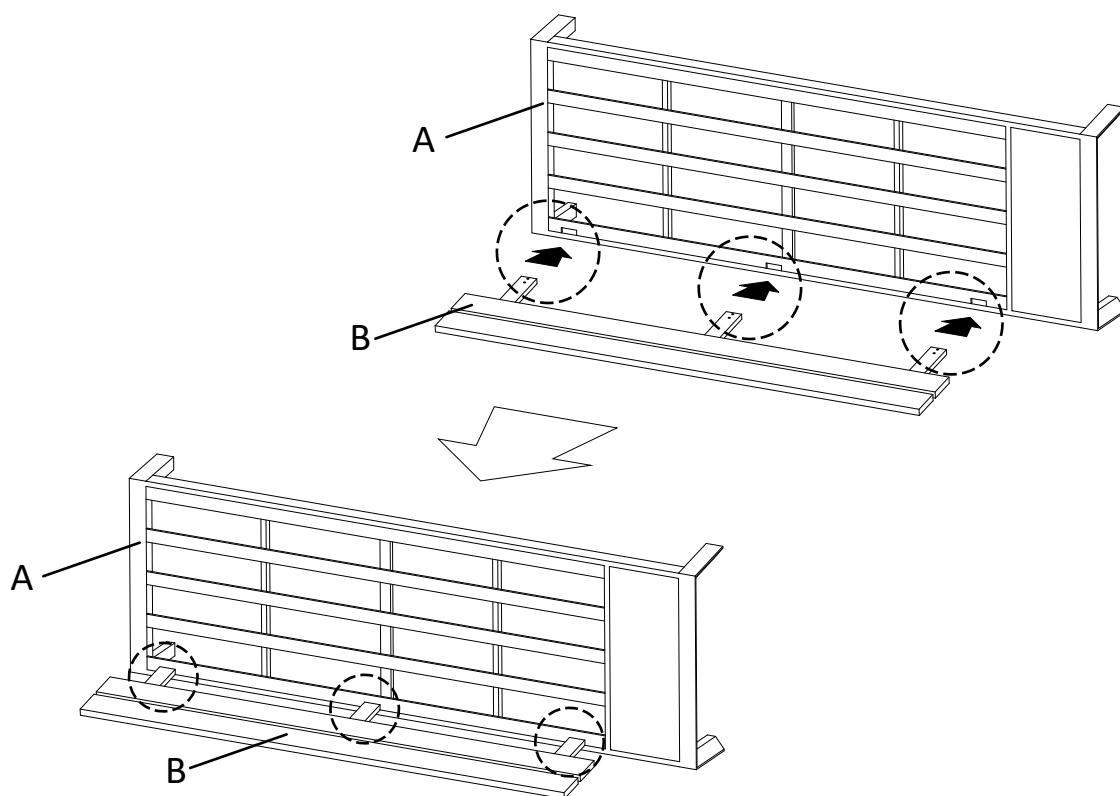
x2



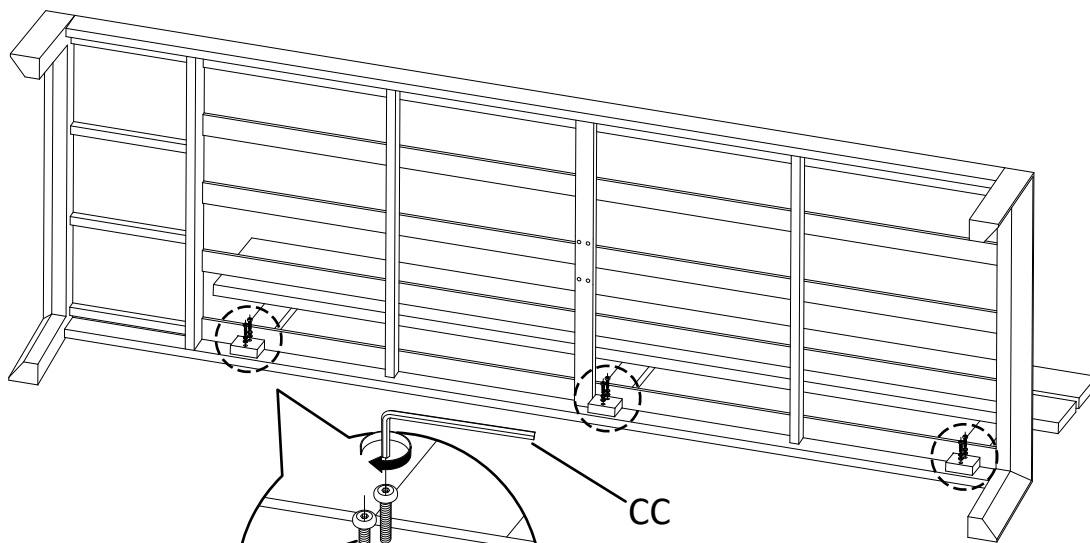
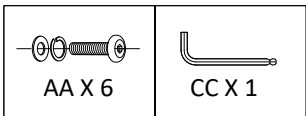
43322



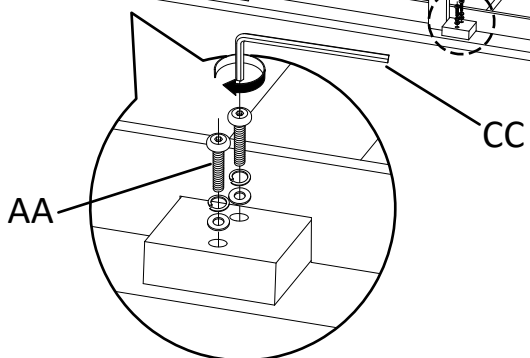
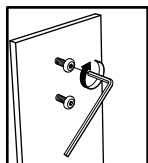
1



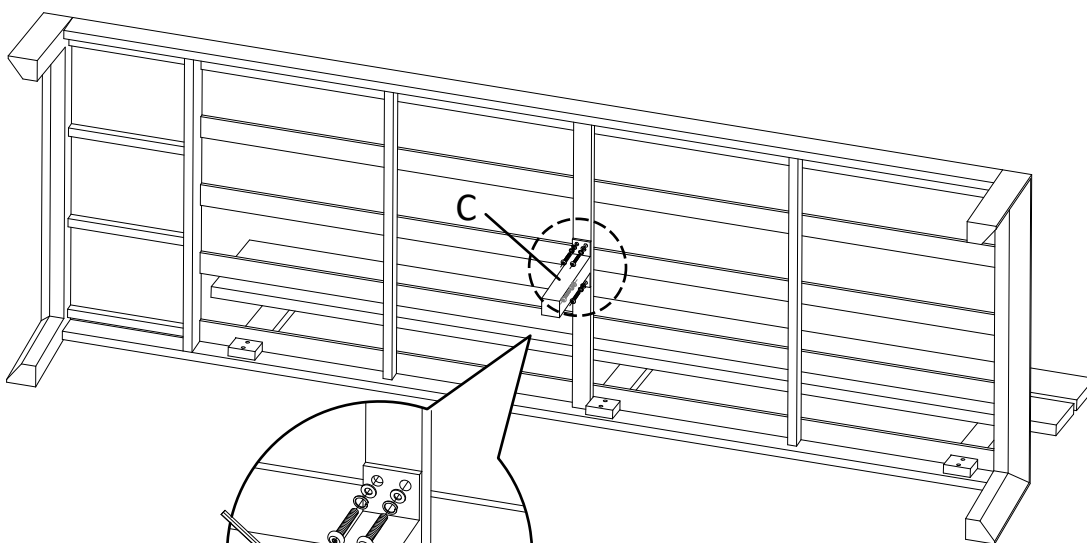
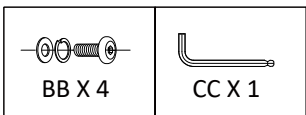
2



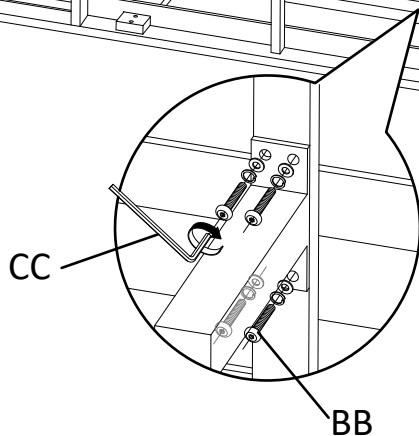
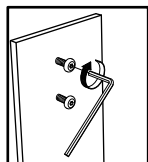
50%



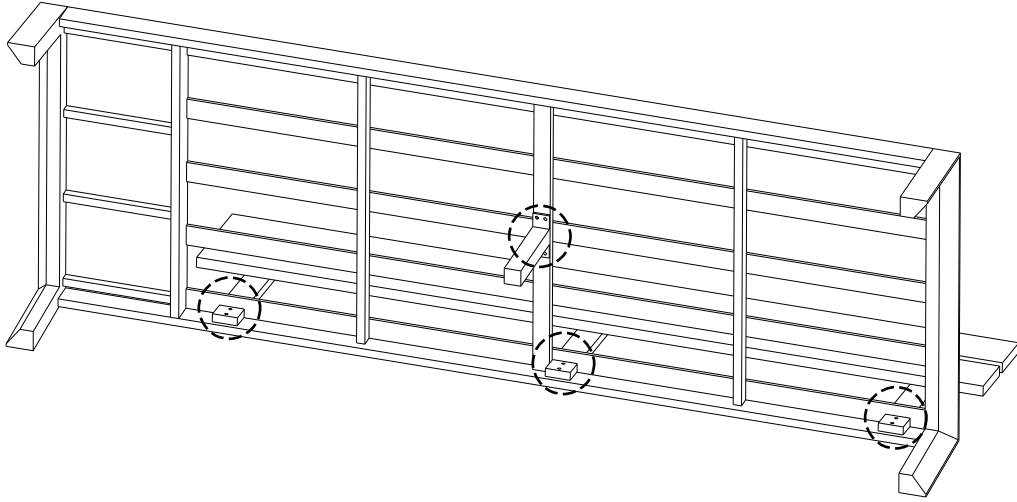
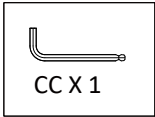
3



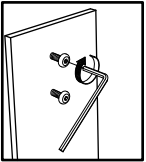
50%



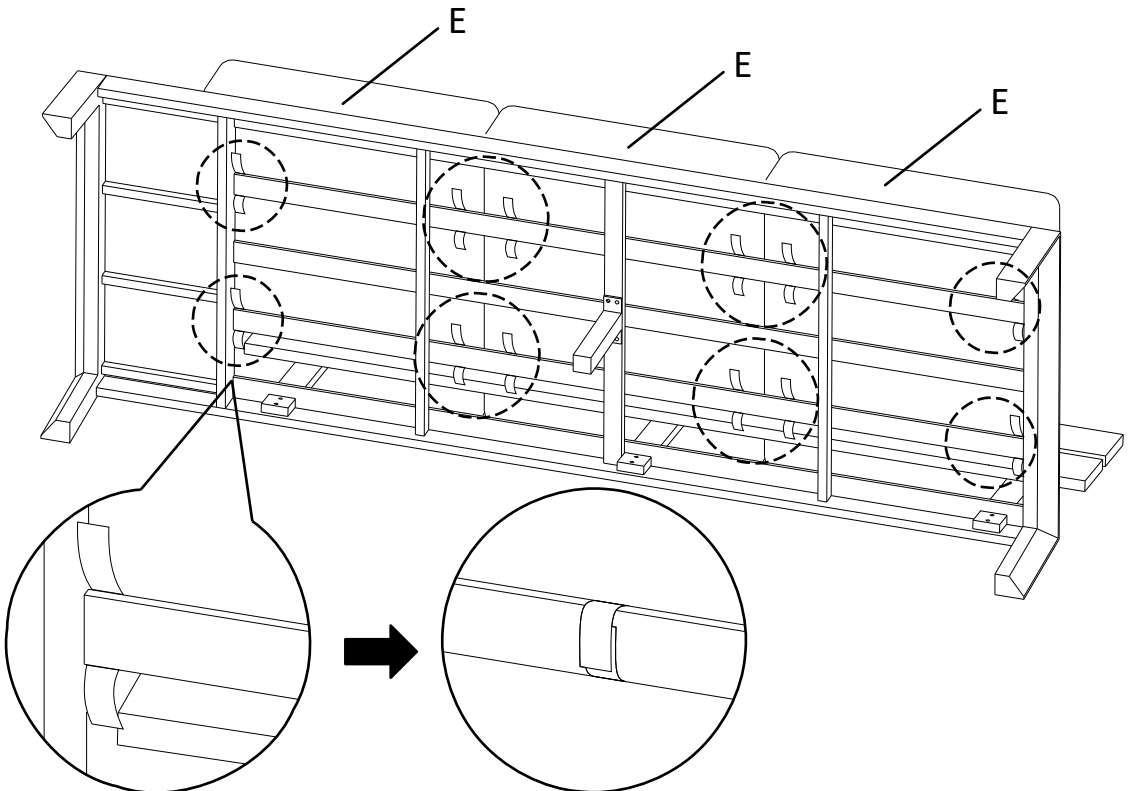
4



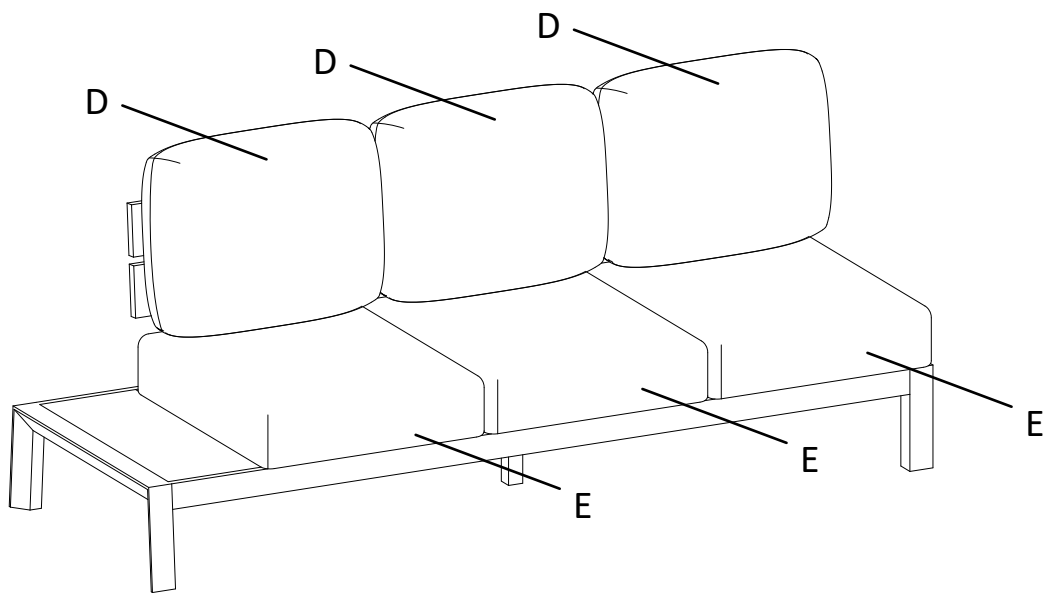
100%



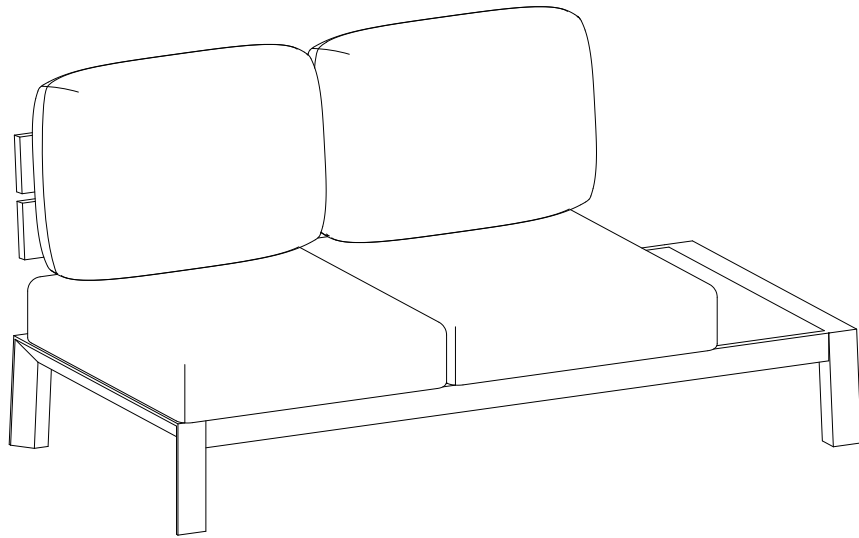
5



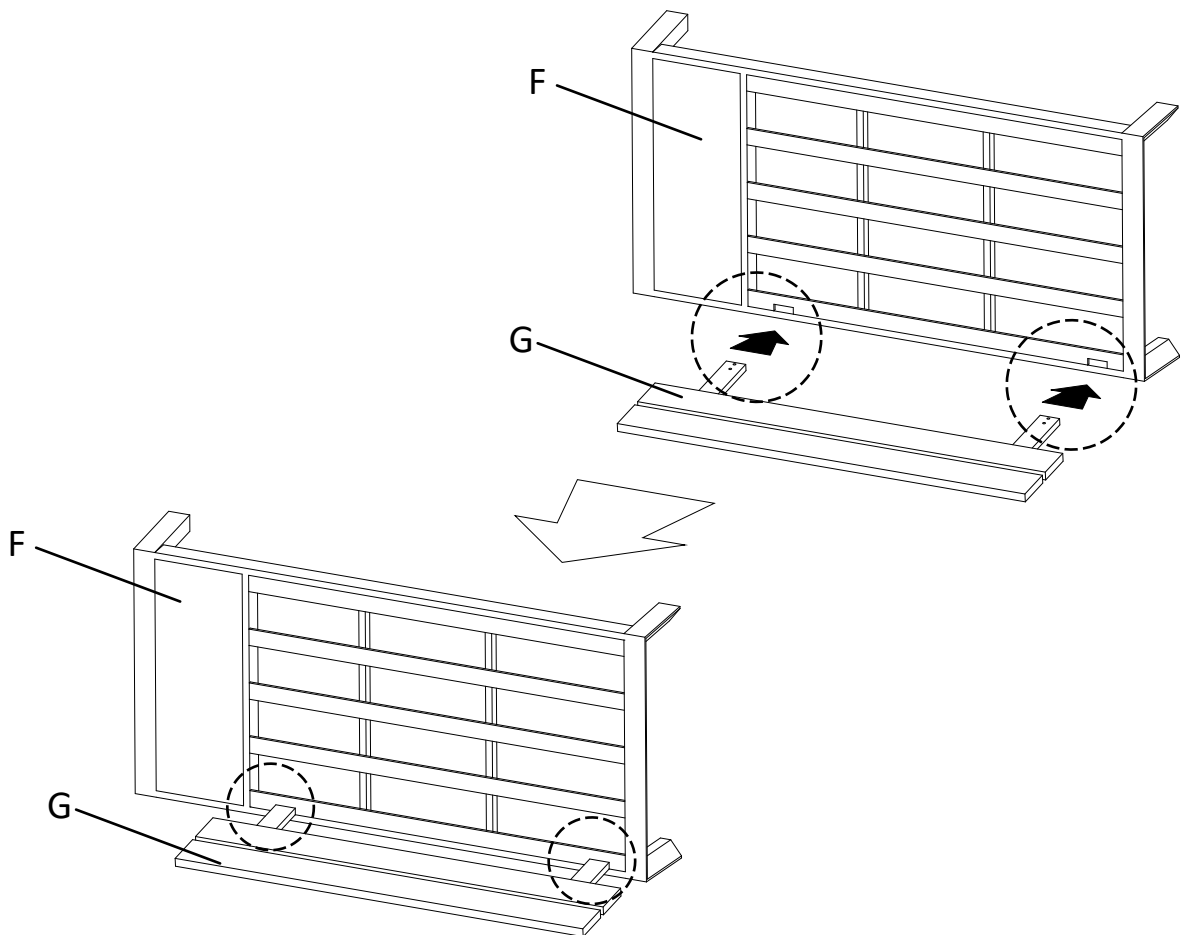
6



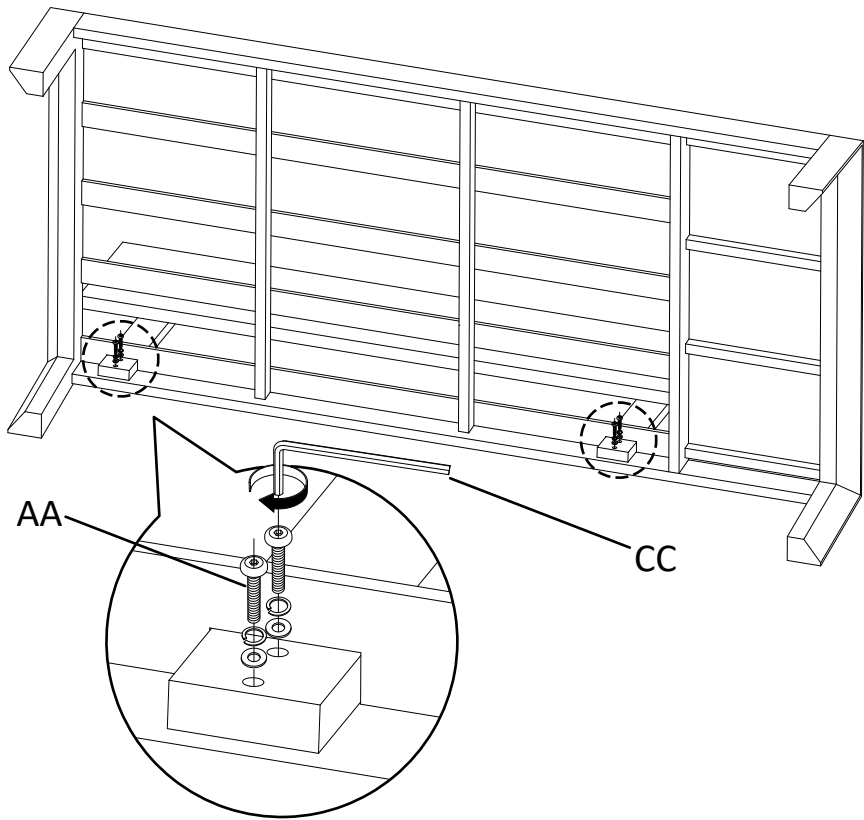
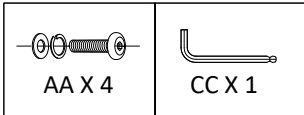
43322



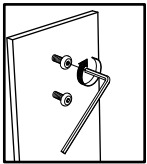
1



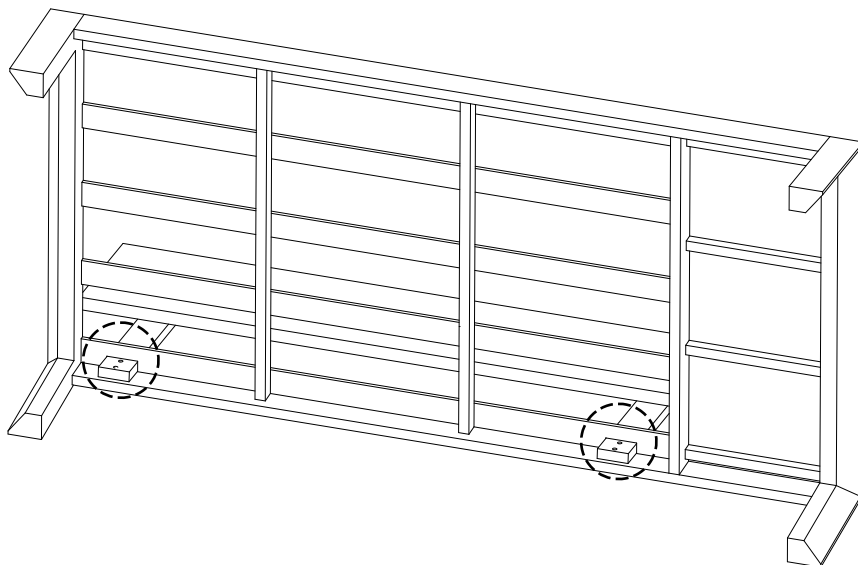
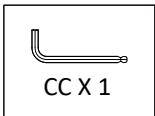
2



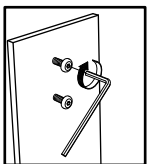
50%



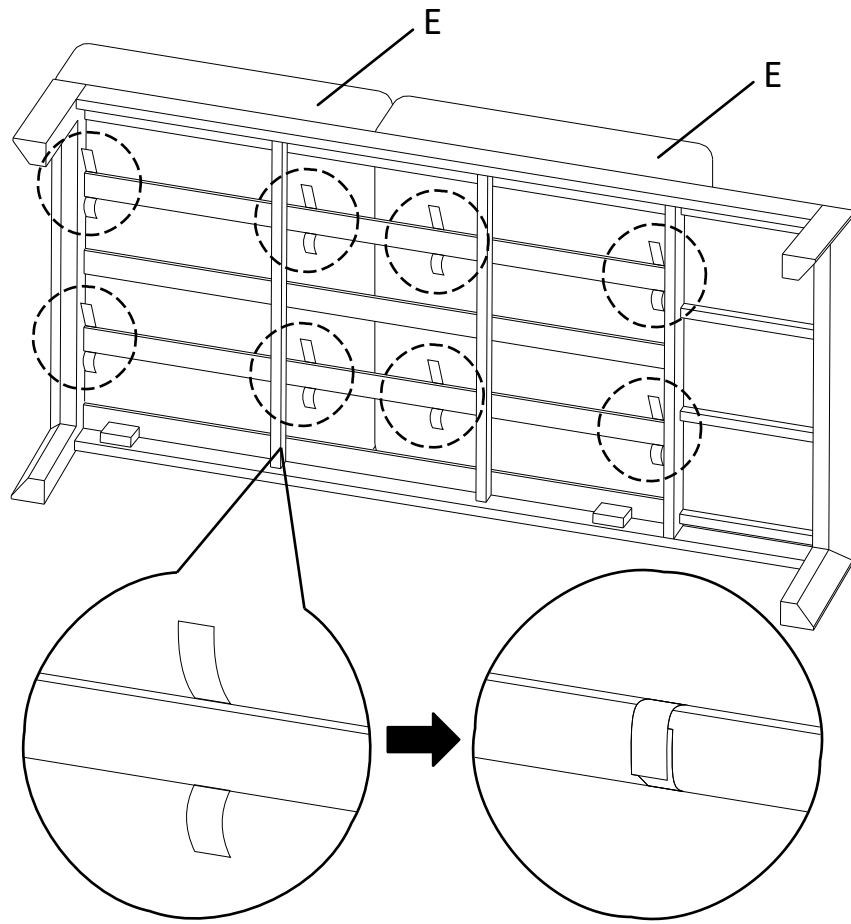
3



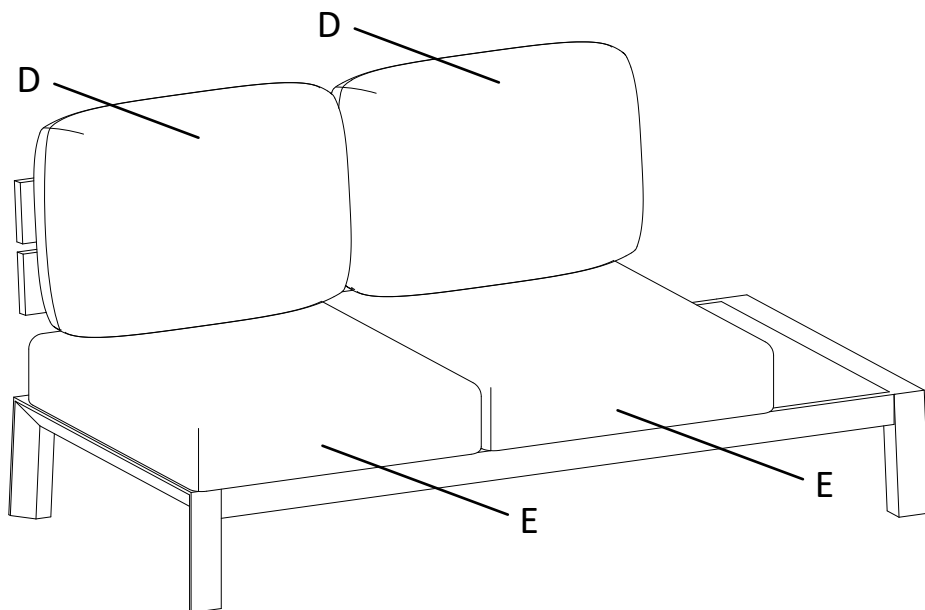
100%



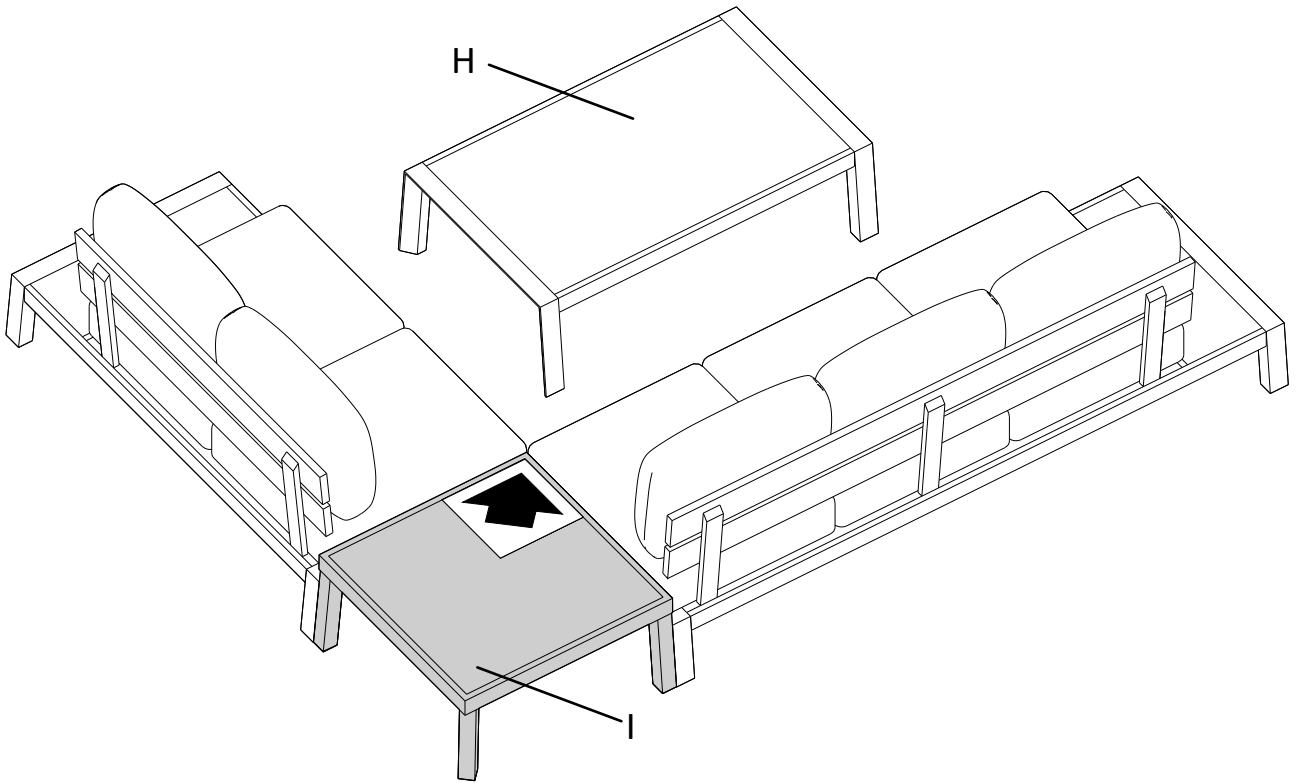
4



5



①



②

