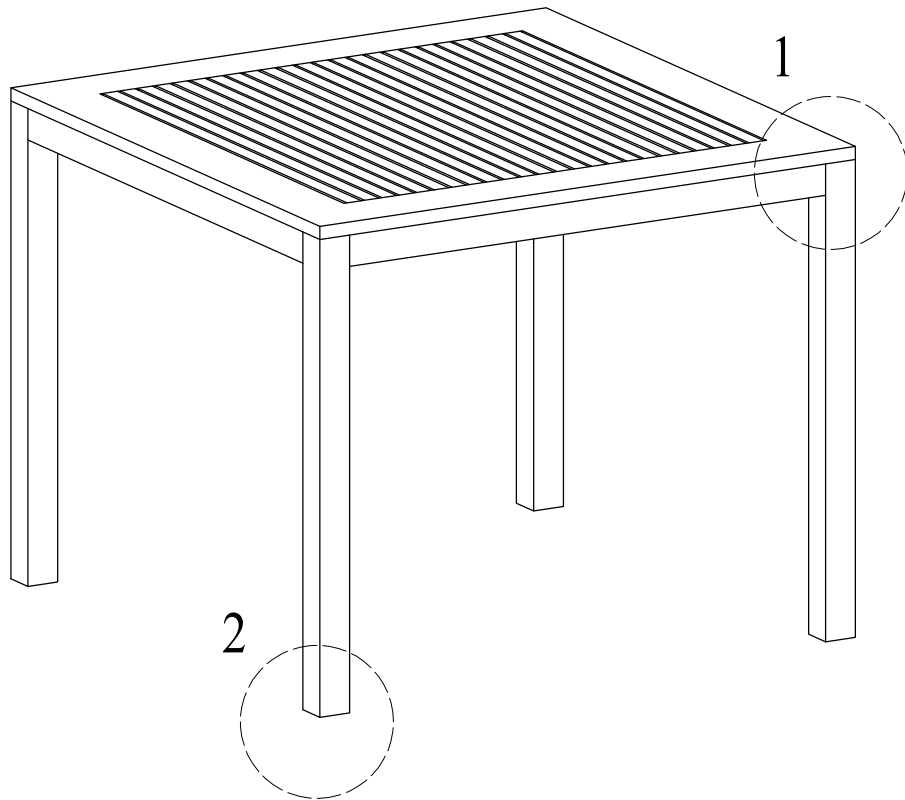
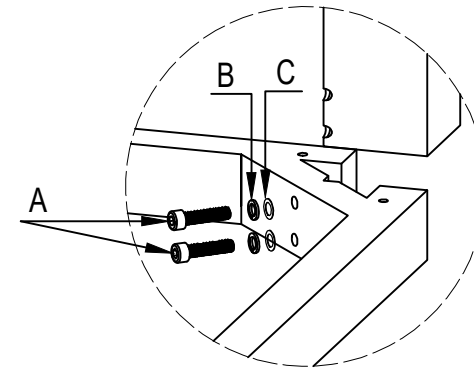


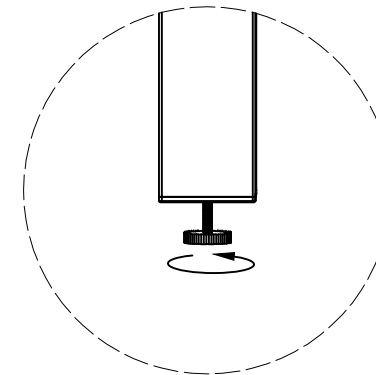
# ASSEMBLY INSTRUCTIONS



STEP 1:



STEP 2:



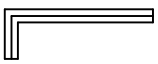
A:9PCS



B:9PCS



C:9PCS



D:1PC