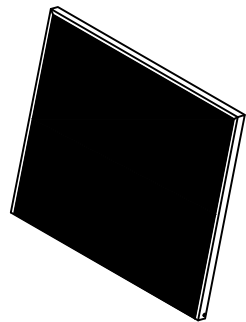


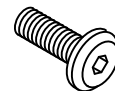
A: 1PCS



B: 1PCS



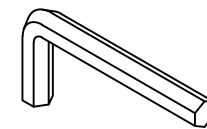
C: M6\*40\*2PCS



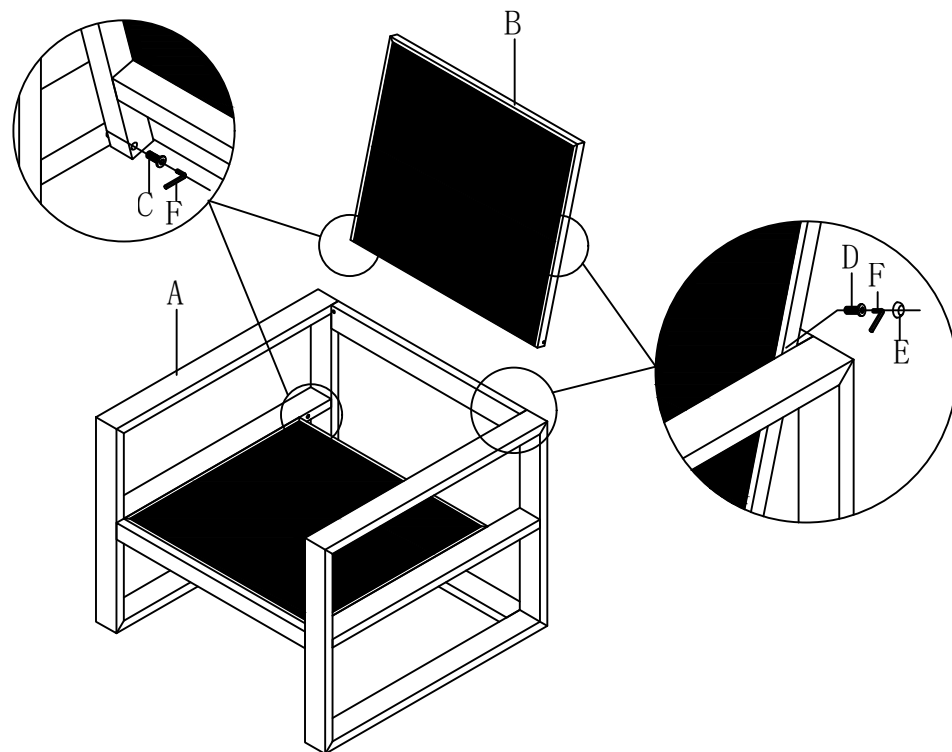
D: M6\*35\*2PCS



E: M6\* 14\*2PCS

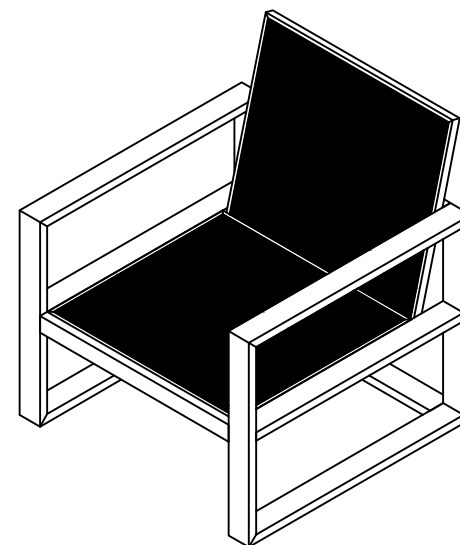


F: 4MM\*1PCS



1

Please assemble all components firstly,  
then tightly fix all screws.



2