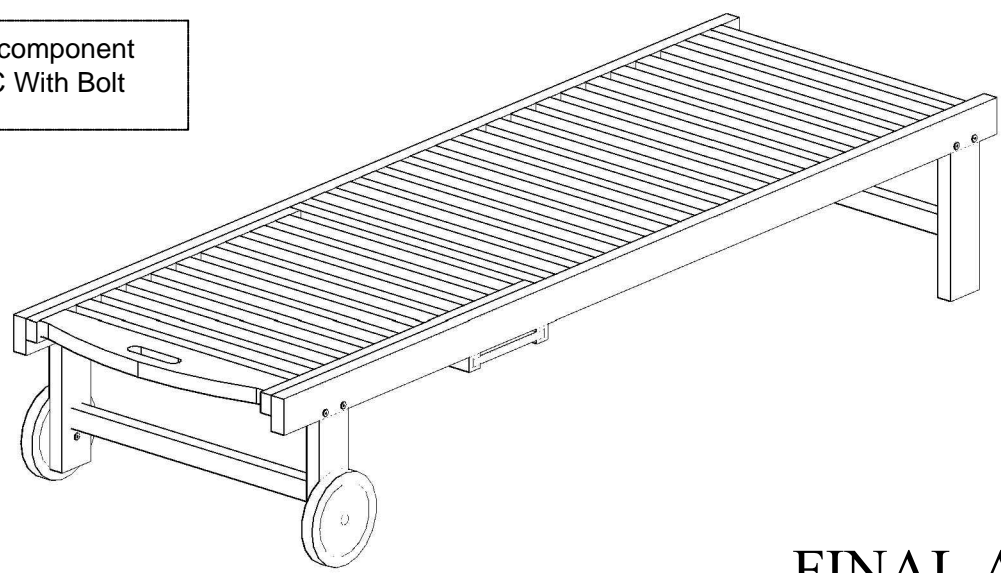


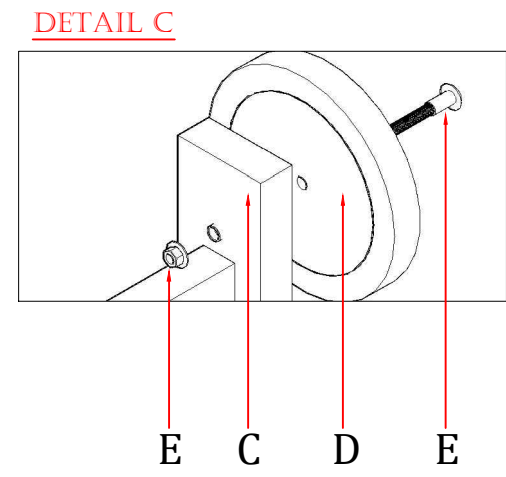
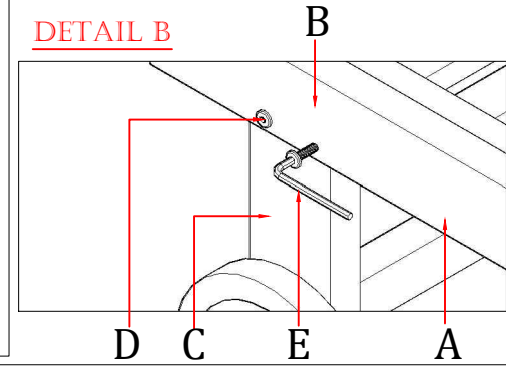
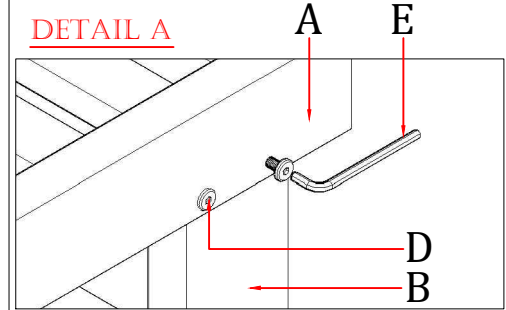
**STEP 1**  
install component C To B With Jcbc M8

**STEP 2**  
install component B & C To A With Jcbc M8

**STEP 3**  
install component D To C With Bolt



**ASSEMBLY INSTRUCTION**



PART	QTY	COMPONENT
A	1	TOP 
B	1	LEG <sub>1</sub> 
C	1	LEG <sub>2</sub> 
D	2	Wheels 
E	1 Set	Bolt To wheels 
F	8	JIBC M8 
G	1	Screwdriver 

**FINAL ASSEMBLY**