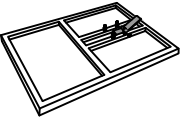
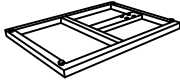
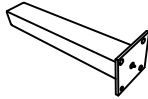
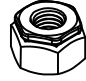





# Assembly Instructions

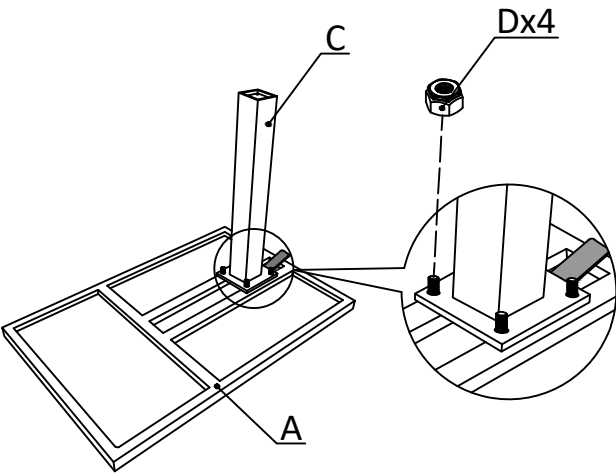
IMPORTANT, RETAIN FOR FUTURE REFERENCE: READ CAREFULLY

Pls tighten all the screws a little bit firstly. After all the screws are put in the hole, you can tighten all the screws. Do not tighten the screws one by one.

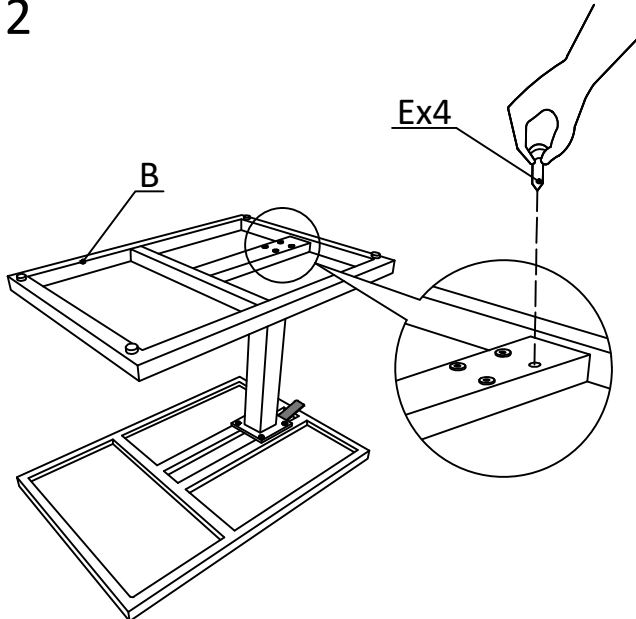
Caution: Assemble only with assistance from adults. Do not assemble in presence of children and or being assisted by a child.

A	B	C	D	E	F	G
						
1PC	1PC	1PC	4PCS	4PCS	1PC	1PC

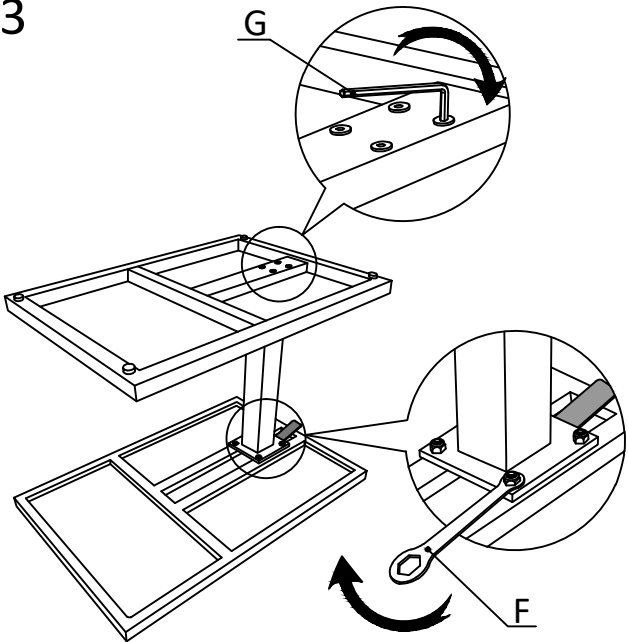
**1**



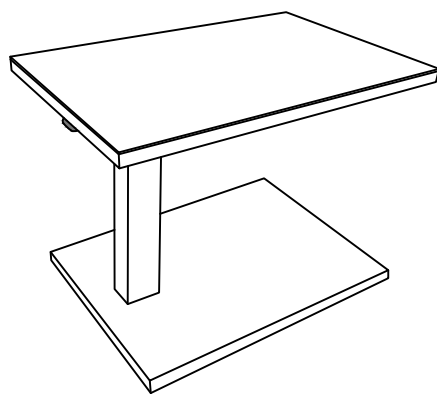
**2**



**3**



**4**

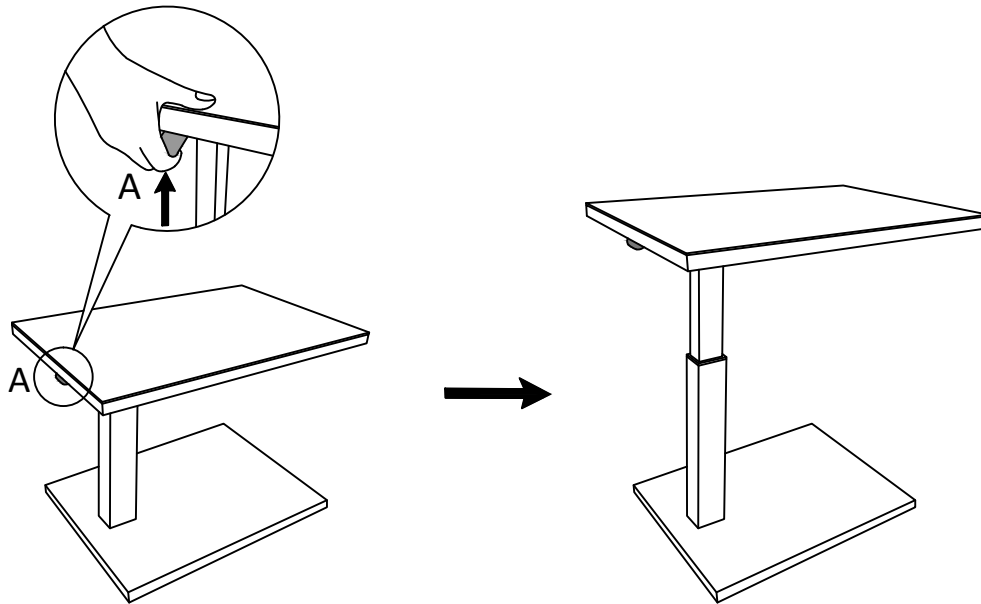


# Assembly Instructions

Please read the entire instruction manual before you proceed and check if all parts are present. Clear all the packing material and be careful not to damage anything in the process. If needed, assemble with multiple persons.

## Situation 1

Press handle A. The table top will go up automatically. You can choose the height you like.



## Situation 2

Press handle A, push the top down. Like the photo shows as below.

