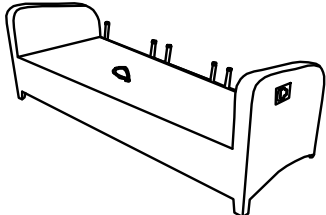

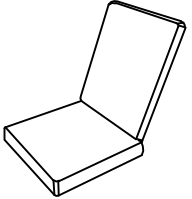
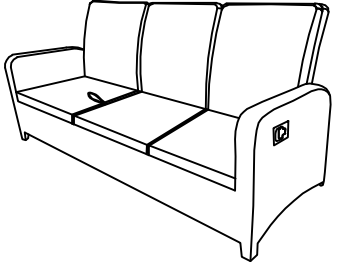


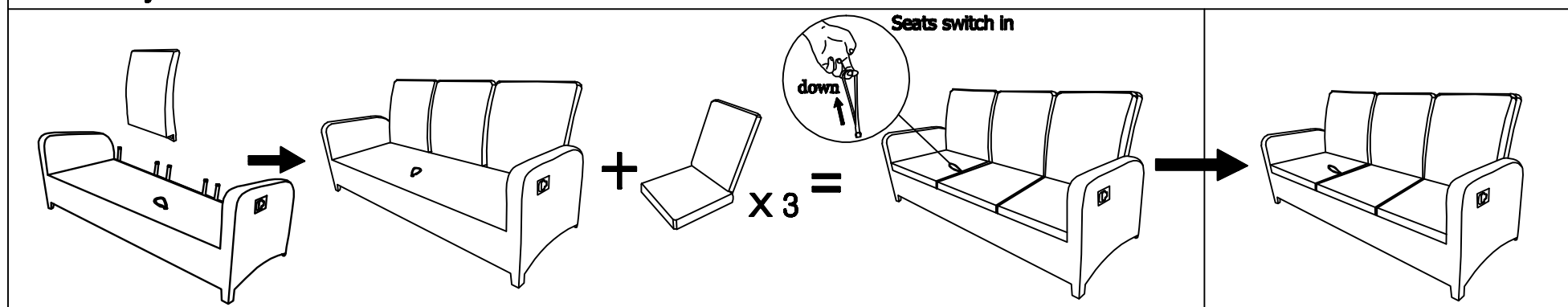
# Assembly Instructions

**IMPORTANT, RETAIN FOR FUTURE REFERENCE: READ CAREFULLY**

**Caution: Assemble only with assistance from adults. Do not assemble in presence of children and or being assisted by a child**

Parts:	A 	B 	C 	
Parts Description	Recliner seat	Recliner back	Seat & Backrest Cushion	
Q' ty	1	3	3	

## Assembly Instructions



**Step 1.** Take out all the components and place them onto a soft and clean surface. put the recliner seat (A) in its upright position. Hold up the recliner back (B) with the right position as showed on the picture and aim the tubes located at the underside of the backrest, and Plug-slot into the O2 tubes which are on the seat base. Push firmly and fully downwards

**Step 2.** Put the cushion (C) onto the chair, as shown in the picture

**Step 3.** Make sure every Part is connected well and this Recliner Chair is ready for use