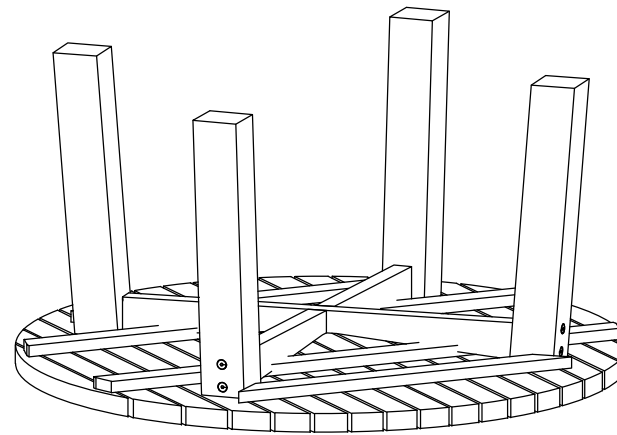
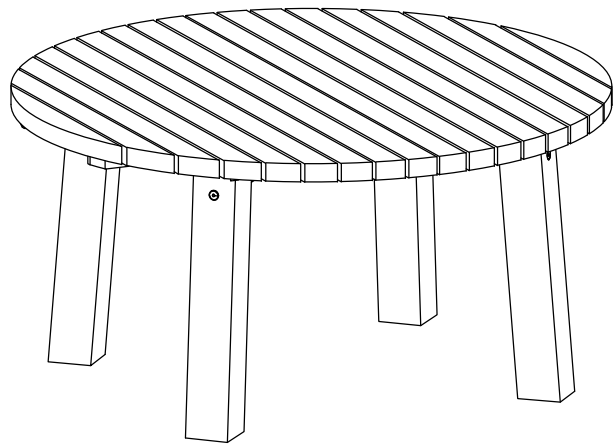
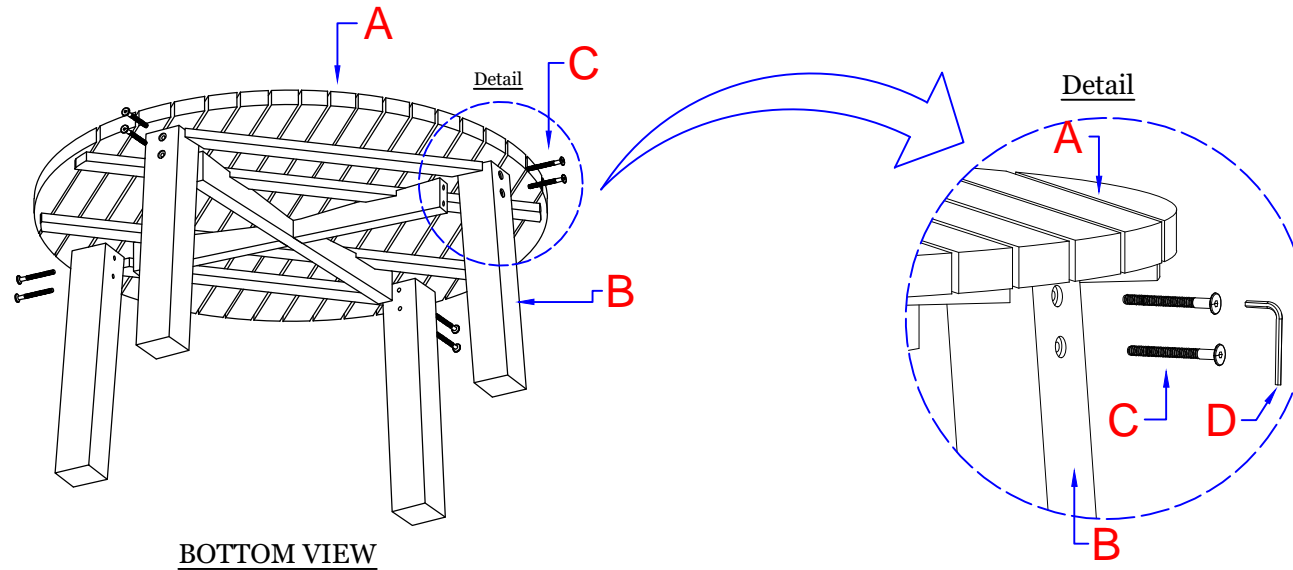


ASSEMBLY INTRUCTION



MATERIAL OF PART		
POST	QTY	COMPONENT
A	1	TOP
B	4	LEGS
C	8	JCBC M8X70 mm
D	1	L.5

SIZE = 80 x 80 x 40 cm

FINISH ASSEMBLY