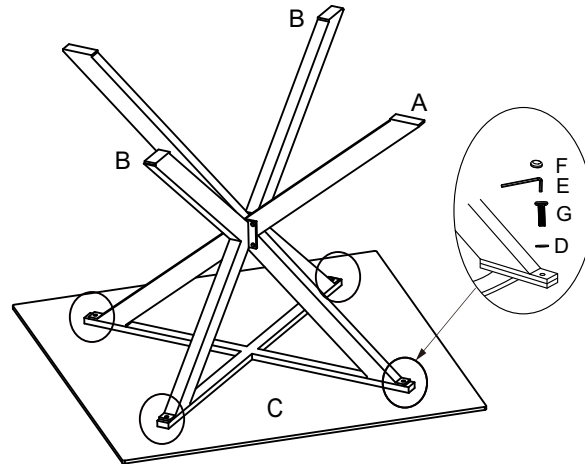
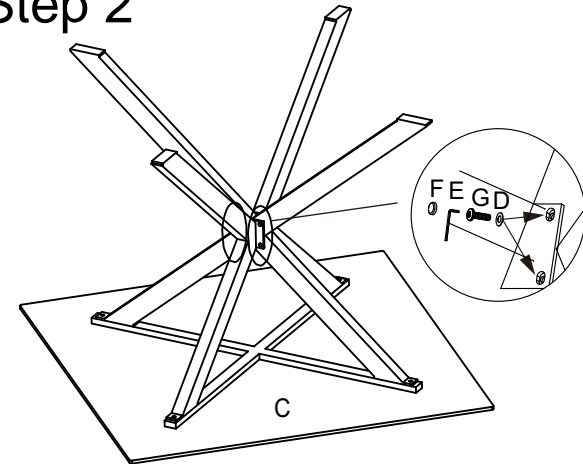


# Assembly Instruction

Step 1

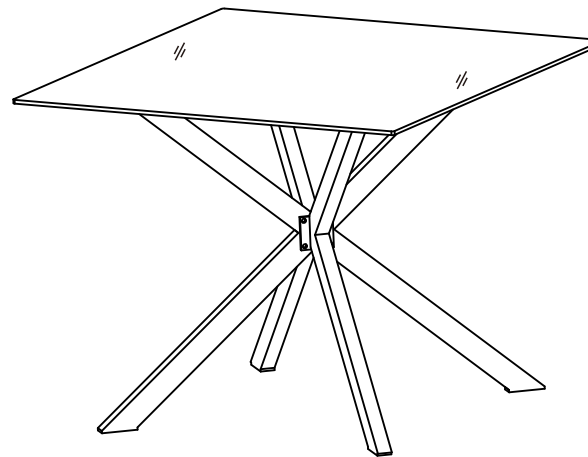


Step 2



## Part List

NO.	Picture	Name	Qty
A		Table Leg	1
B		Table Leg	2
C		Table Rim	1
D		Washer	12
E		Wrench	1
F		Bolt Cover	12
G		Bolt M6x20	12



(41663)