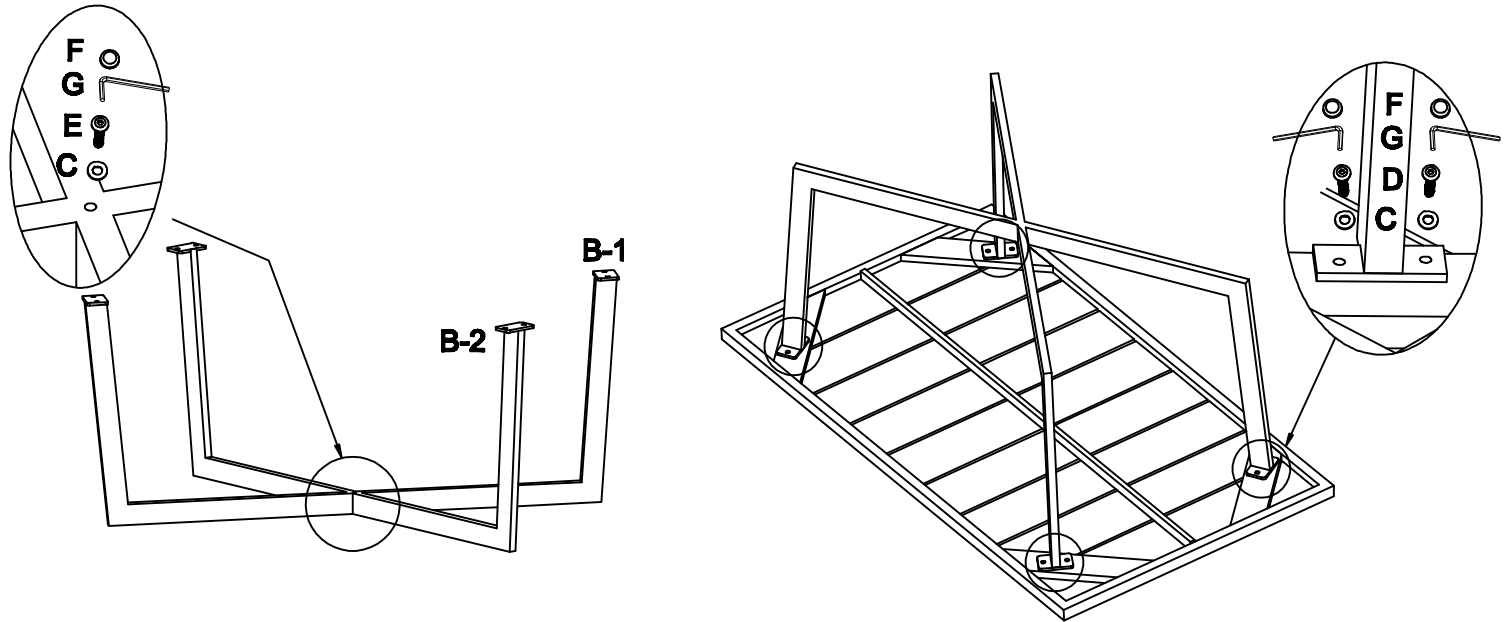








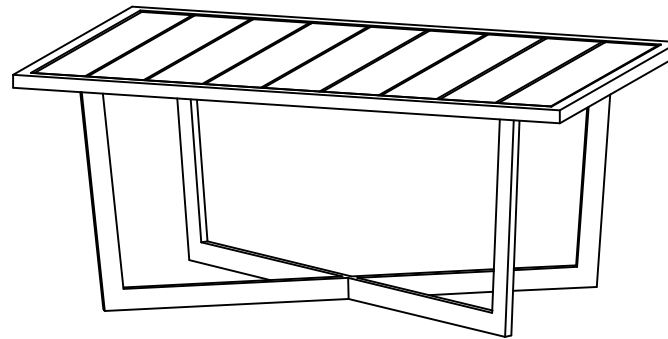


Assembly Instruction



Part List

NO.	Picture	Name	Qty
A		Table Rim	1
B-1		Left Leg	1
B-2		Right Leg	1
C		Washer	9
D		Bolt M6x20	8
E		Bolt M6x55	1
F		Bolt Cover	9
G		Wrench	1



41749