
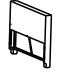


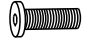





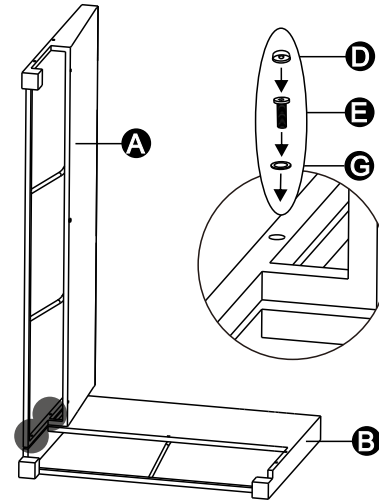
# Assemble instruction

GLA-62325-51RKD

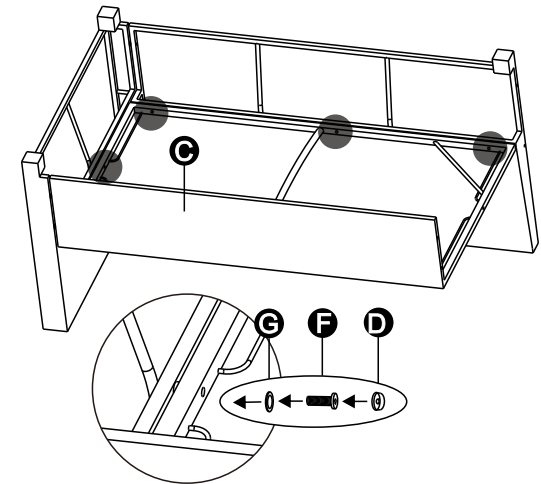
Part List:

| NO. | Picture   | Name            | Qty |
|-----|---|-----------------|-----|
| A   |    | Back            | 1   |
| B   |    | Armrest (Right) | 1   |
| C   |    | Seat            | 1   |
| D   |    | PVC Bolt Cover  | 8   |
| E   |    | M6X35MM Bolt    | 4   |
| F   |    | M6X40MM Bolt    | 4   |
| G   |  | Steel Washer    | 8   |
| H   |  | Wrench          | 1   |

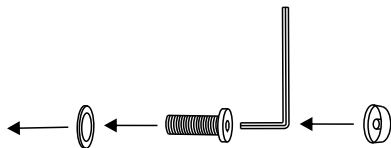
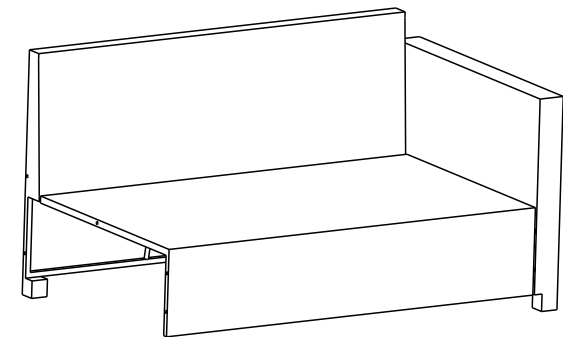
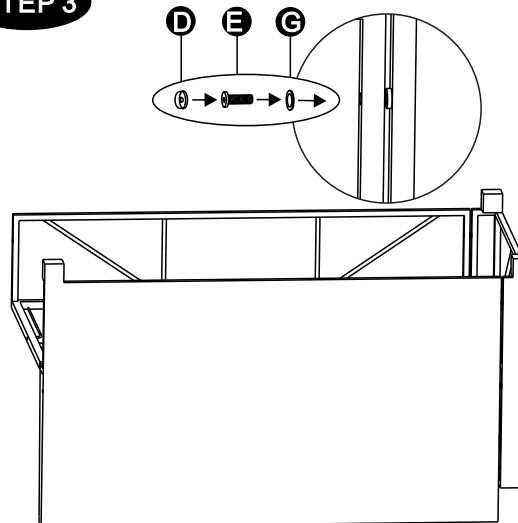
**STEP 1**



**STEP 2**



**STEP 3**



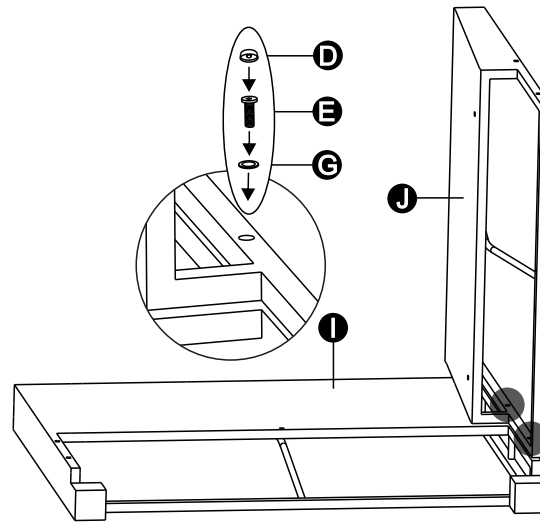
# Assemble instruction

GLA-62325-24LKD

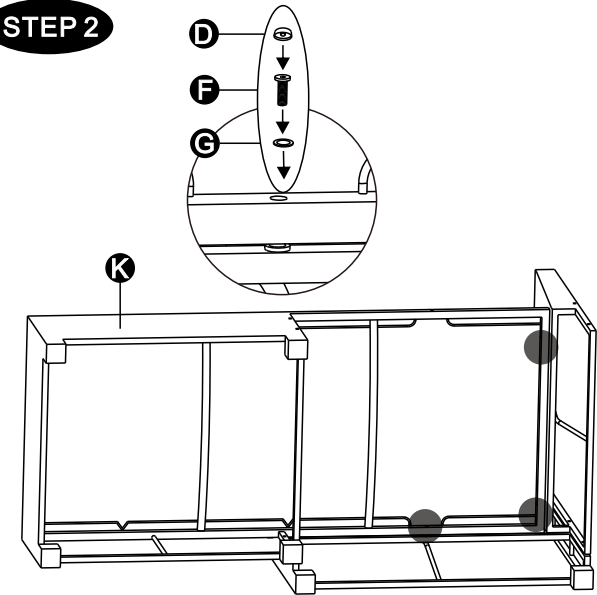
Part List:

| NO. | Picture | Name           | Qty |
|-----|---------|----------------|-----|
| I   |         | Back           | 1   |
| J   |         | Armrest (Left) | 1   |
| K   |         | Seat           | 1   |
| D   |         | PVC Bolt Cover | 7   |
| E   |         | M6X35MM Bolt   | 4   |
| F   |         | M6X40MM Bolt   | 3   |
| G   |         | Steel Washer   | 7   |
| H   |         | Wrench         | 1   |

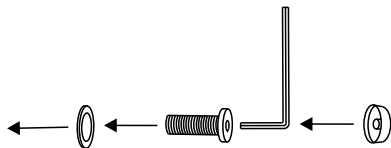
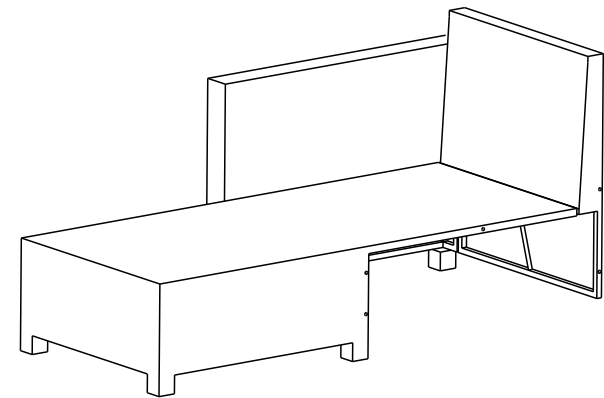
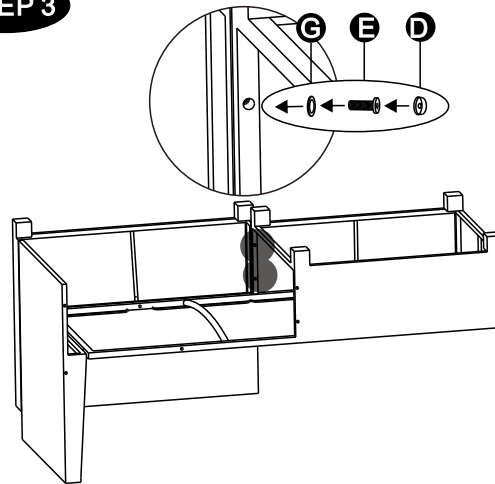
**STEP 1**



**STEP 2**




**STEP 3**

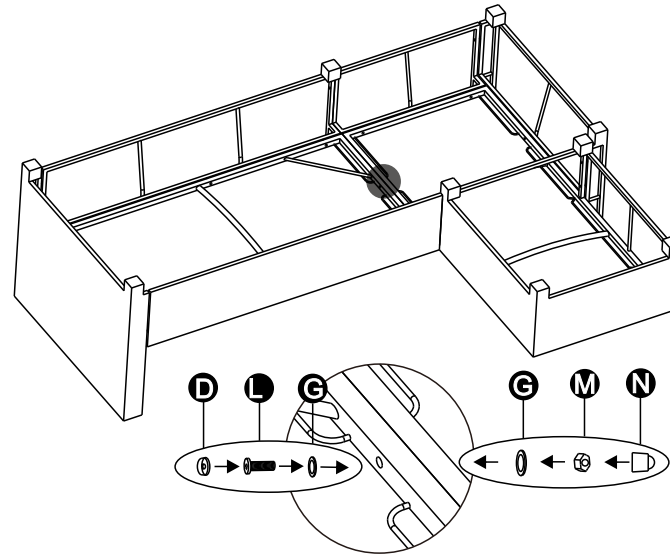


# Assemble instruction

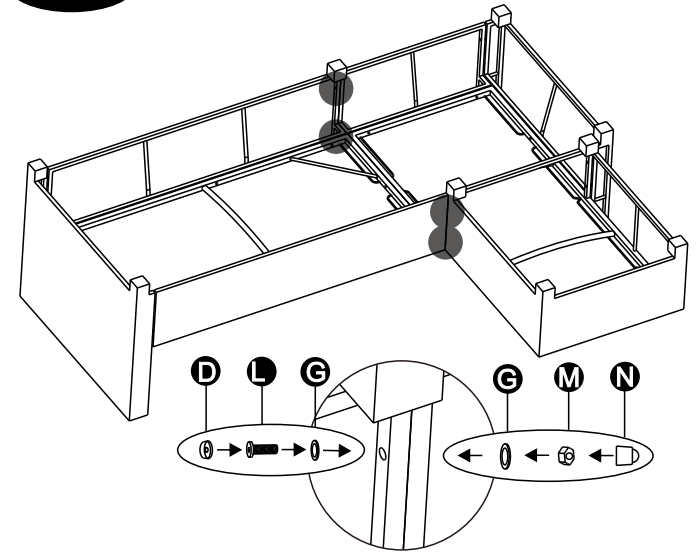
## Part List:

| NO. | Picture   | Name           | Qty |
|-----|---|----------------|-----|
| D   |    | PVC Bolt Cover | 5   |
| L   |    | M6X60MM Bolt   | 5   |
| G   |    | Steel Washer   | 10  |
| H   |    | Wrench         | 1   |
| M   |    | Nut            | 5   |
| N   |    | Nut Cover      | 5   |
| O   |  | Nut Wrench     | 1   |

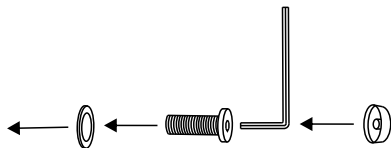
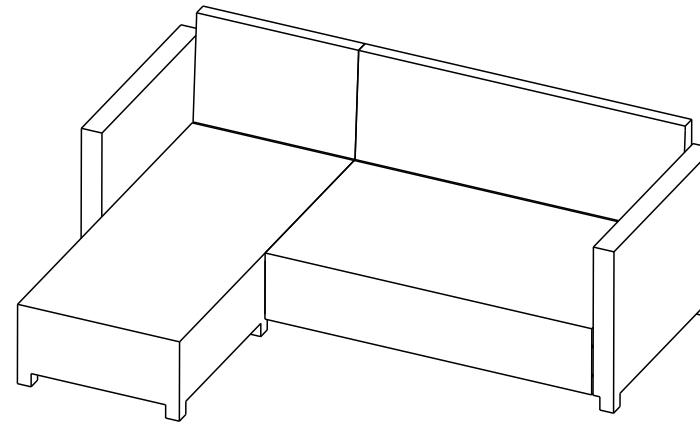
### STEP 1



### STEP 2






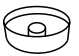
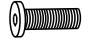



### STEP 3

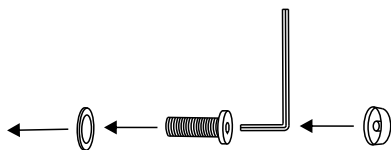


# Assemble instruction

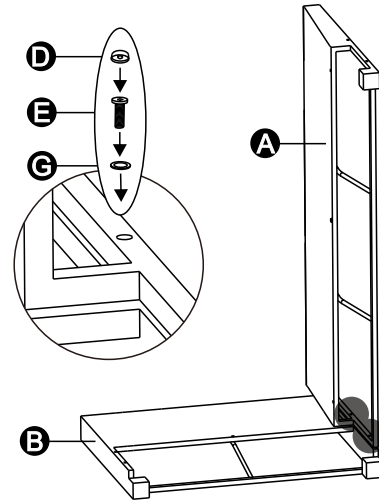
GLA-62325-51LKD

Part List:

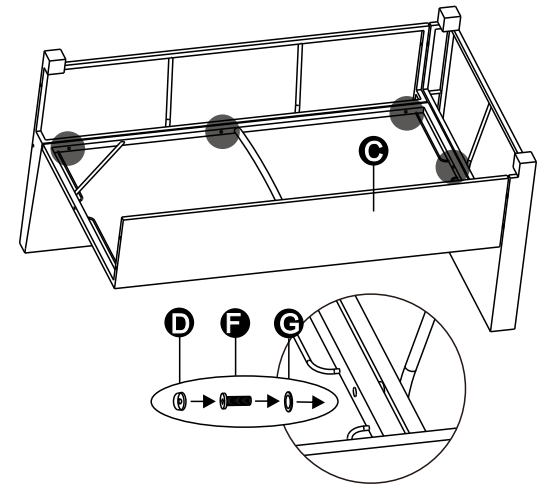
| NO. | Picture   | Name           | Qty |
|-----|---|----------------|-----|
| A   |    | Back           | 1   |
| B   |    | Armrest (Left) | 1   |
| C   |    | Seat           | 1   |
| D   |    | PVC Bolt Cover | 8   |
| E   |    | M6X35MM Bolt   | 4   |
| F   |    | M6X40MM Bolt   | 4   |
| G   |  | Steel Washer   | 8   |
| H   |  | Wrench         | 1   |



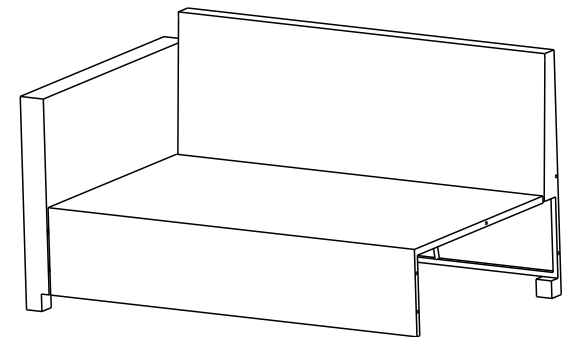
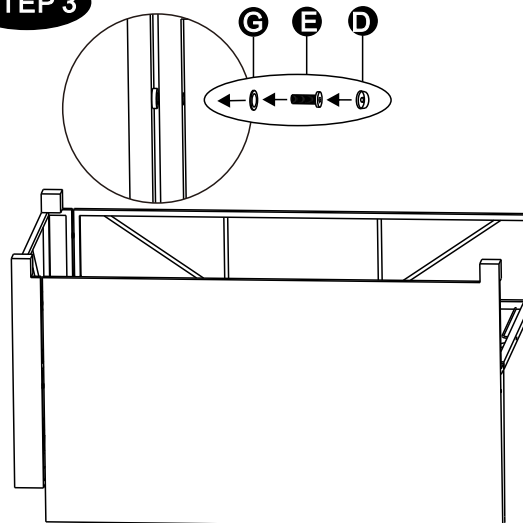
## STEP 1



## STEP 2




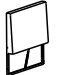


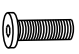
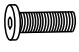


## STEP 3



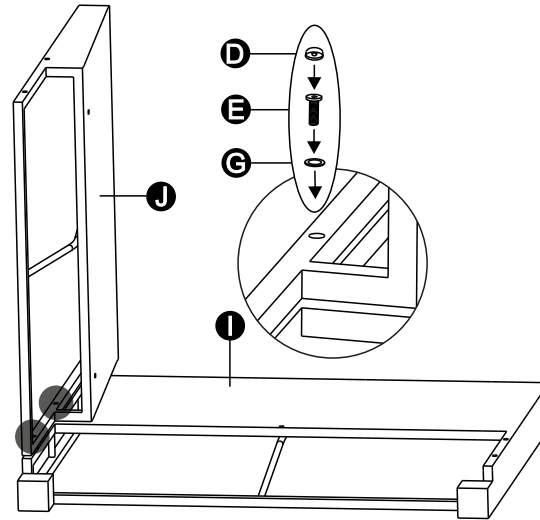
# Assemble instruction

GLA-62325-24RKD

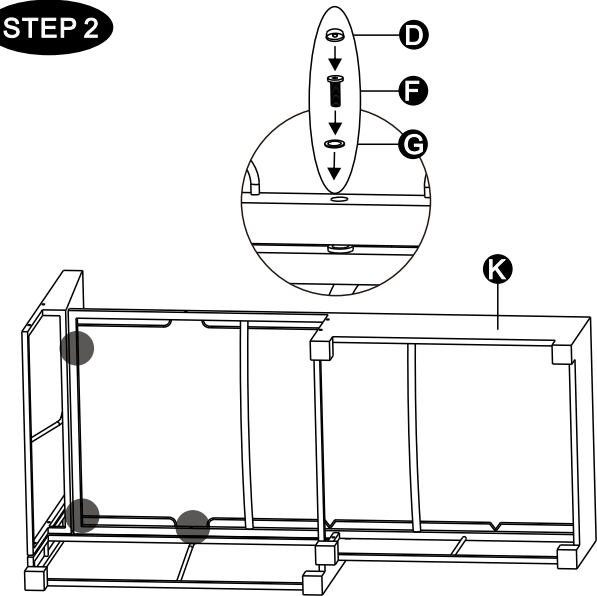
Part List:

| NO. | Picture   | Name            | Qty |
|-----|---|-----------------|-----|
| I   |    | Back            | 1   |
| J   |    | Armrest (Right) | 1   |
| K   |    | Seat            | 1   |
| D   |    | PVC Bolt Cover  | 7   |
| E   |    | M6X35MM Bolt    | 4   |
| F   |    | M6X40MM Bolt    | 3   |
| G   |  | Steel Washer    | 7   |
| H   |  | Wrench          | 1   |

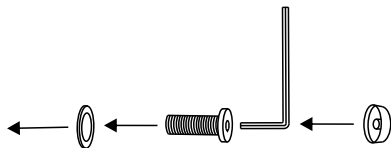
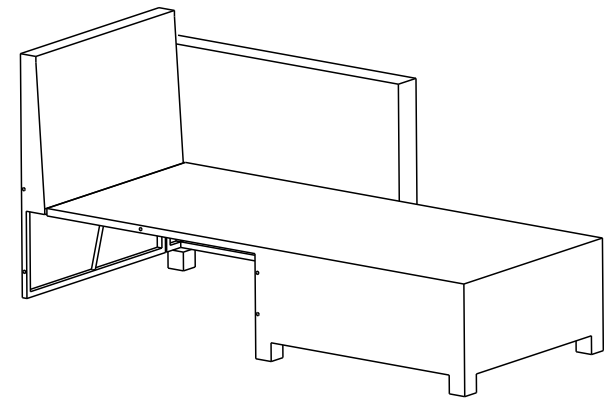
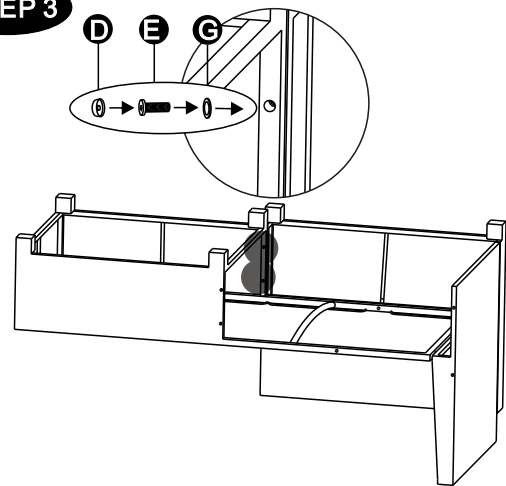
**STEP 1**



**STEP 2**



**STEP 3**

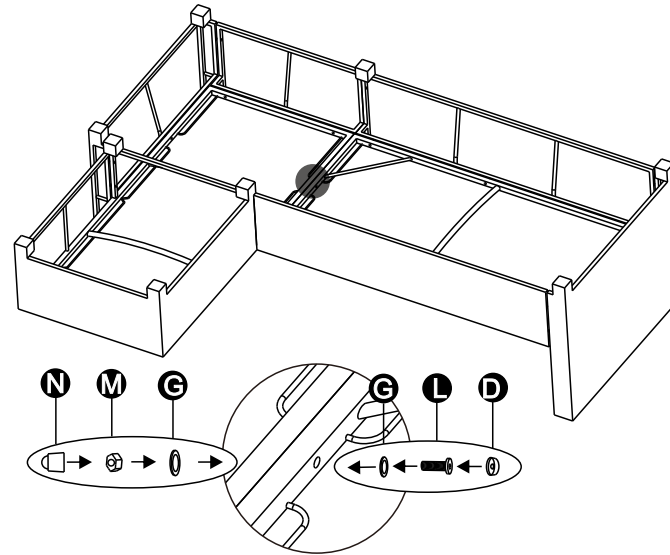


# Assemble instruction

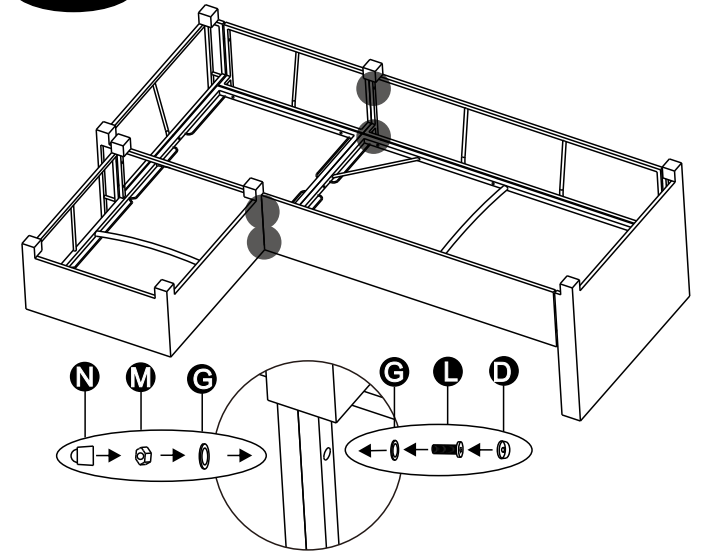
## Part List:

| NO. | Picture   | Name           | Qty |
|-----|---|----------------|-----|
| D   |    | PVC Bolt Cover | 5   |
| L   |    | M6X60MM Bolt   | 5   |
| G   |    | Steel Washer   | 10  |
| H   |    | Wrench         | 1   |
| M   |    | Nut            | 5   |
| N   |    | Nut Cover      | 5   |
| O   |  | Nut Wrench     | 1   |

### STEP 1



### STEP 2



### STEP 3

