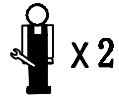


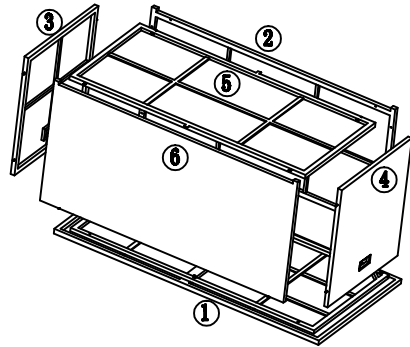
**ASSEMBLY INSTRUCTIONS**  
**FREEDOM:COFFRE RANGT PM TR.ANT**



30 min



X 2



7

X 1



8

X 8

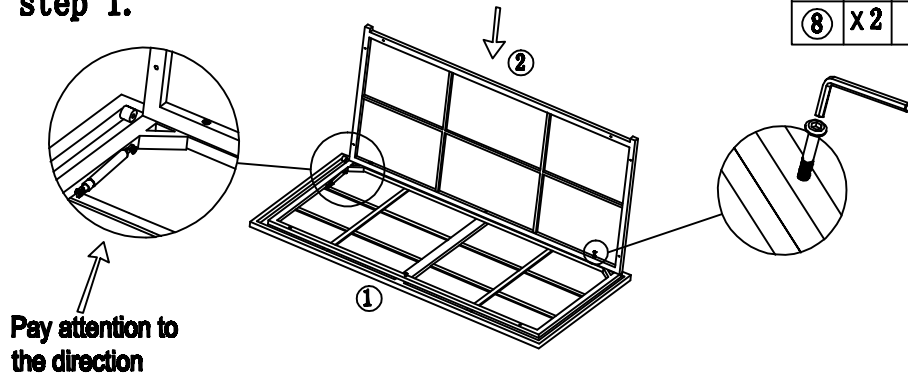


**step 1.**

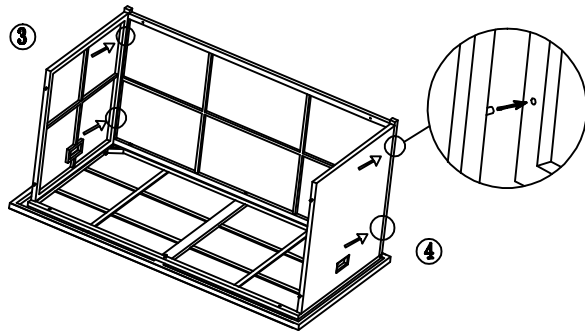
7 X 1



8 X 2



**step 2.**

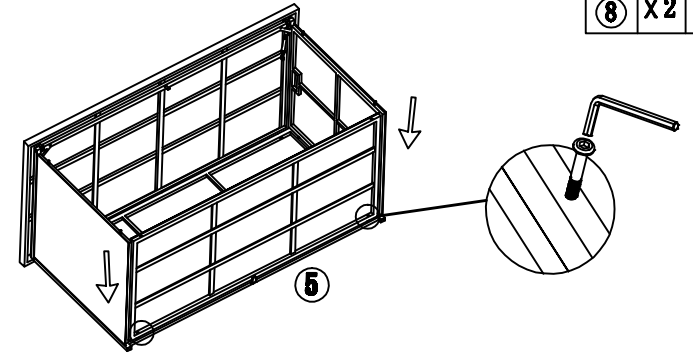


**step 3.**

7 X 1



8 X 2

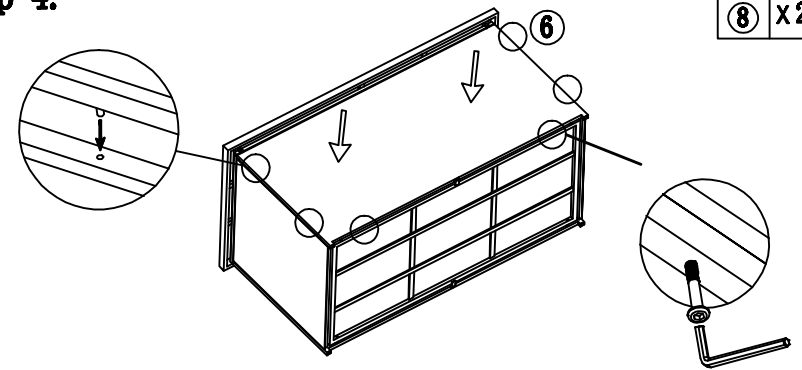


**step 4.**

7 X 1



8 X 2



**step 5.**

7 X 1



8 X 2

